



COC

SRB

Spherical Roller
Bearing Units



COC INC.

1-7-4 Hamaderashowa Nishiku
Sakai Osaka 592-8345 JAPAN
+81 72 267 2347
info@crossocean.com

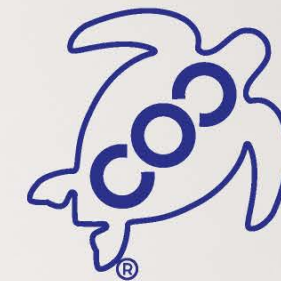




成套系列化自动调心球面滚子轴承组件

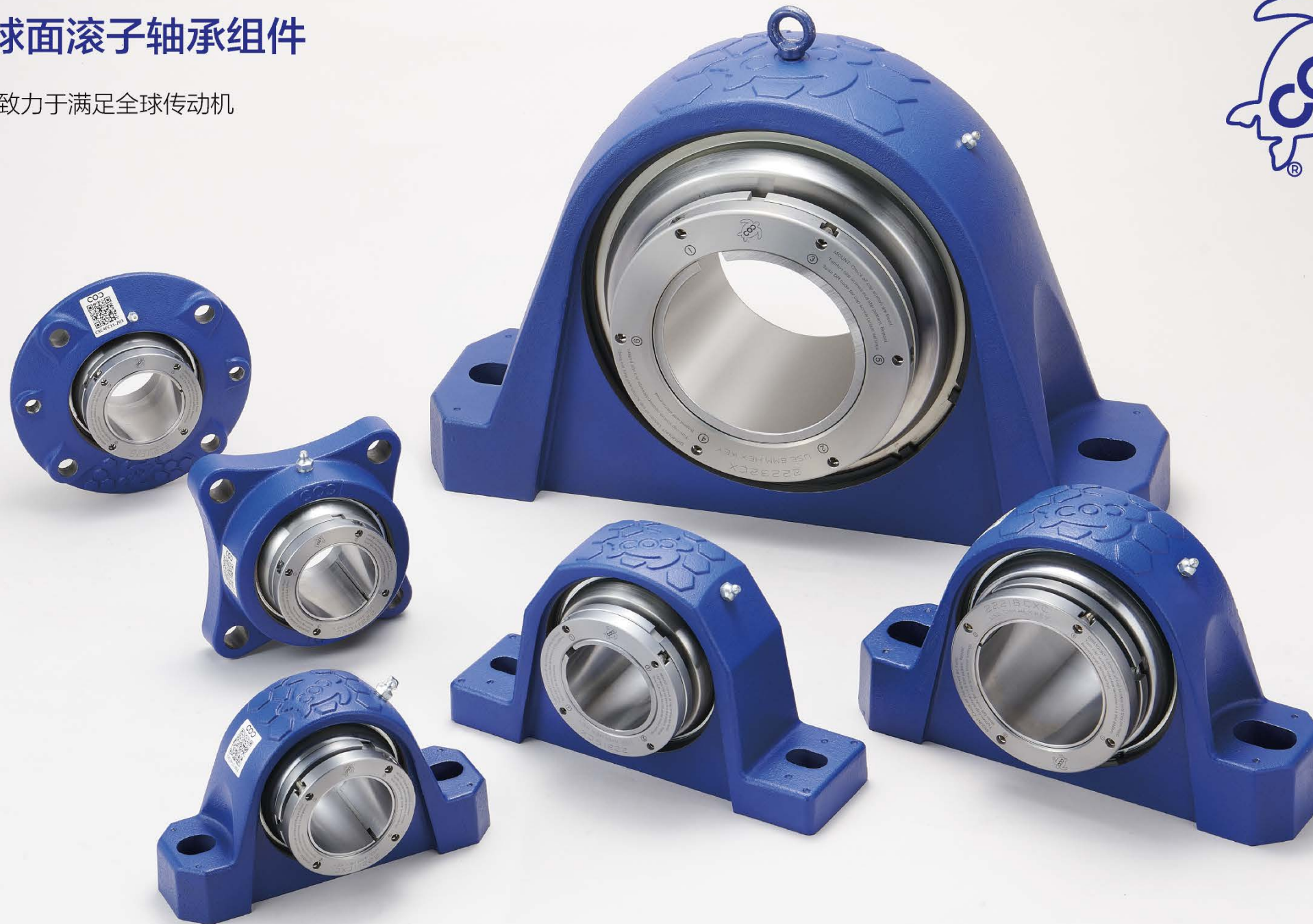
2019年在日本诞生的新品牌，以其崭新的设计和功能，致力于满足全球传动机械业界的需求。

- 简单安装。简单拆卸。
- 长寿命密封。
- 360度锁紧防止振动。

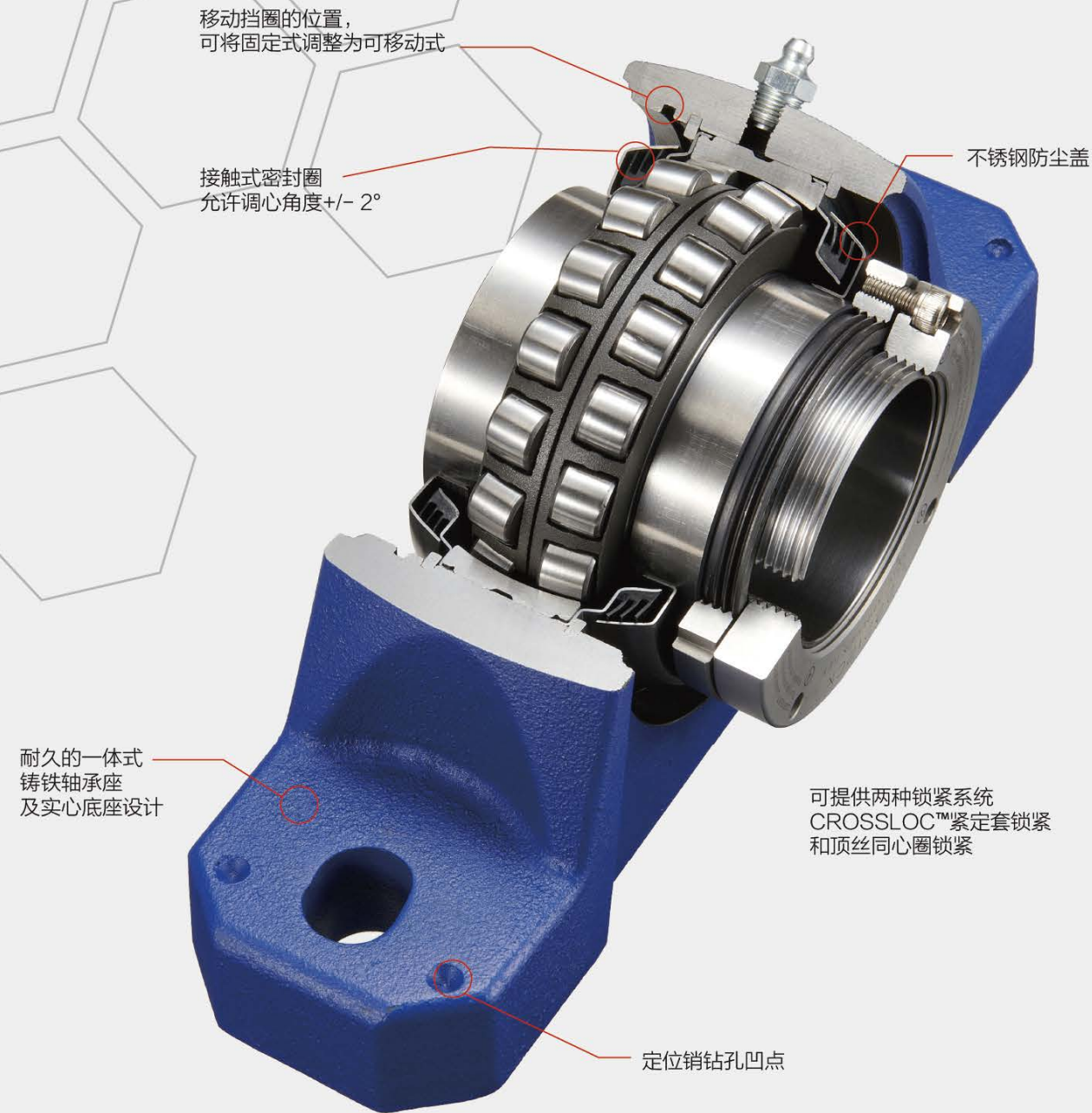


目录

特征	3
型号说明	10
CROSSLOC™ -CX	11
CROSSLOC™ -CXC	17
顶丝同心圈 -CS	29
钢板端盖	41
钢板通盖	43
技术/选型参数	47
轴承选择表	53

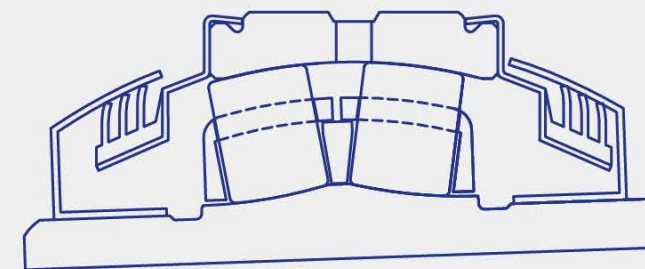


密封唇在任何角度下保持接触均匀。

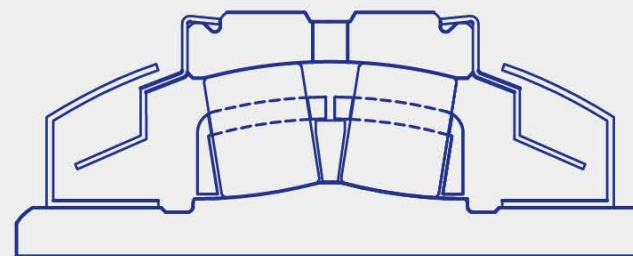


接触密封防护

独创的设计保证在 $\pm 2^\circ$ 调心范围内使密封唇与防尘盖切实且均匀接触。不锈钢防尘盖更能屏蔽污物, 保护轴承。



无橡胶唇迷宫式密封圈适合高速和高温使用条件。能有效地降低高速运转时的温升。



固定式样与可移动式样

如果使用时的高温导致轴在轴向有伸缩移动, 可一端用固定式轴承组件。而把另一端组件的弹簧挡圈移到外侧卡簧槽内, 就能很容易地把固定式样轴承组件变为可移动式样轴承组件。

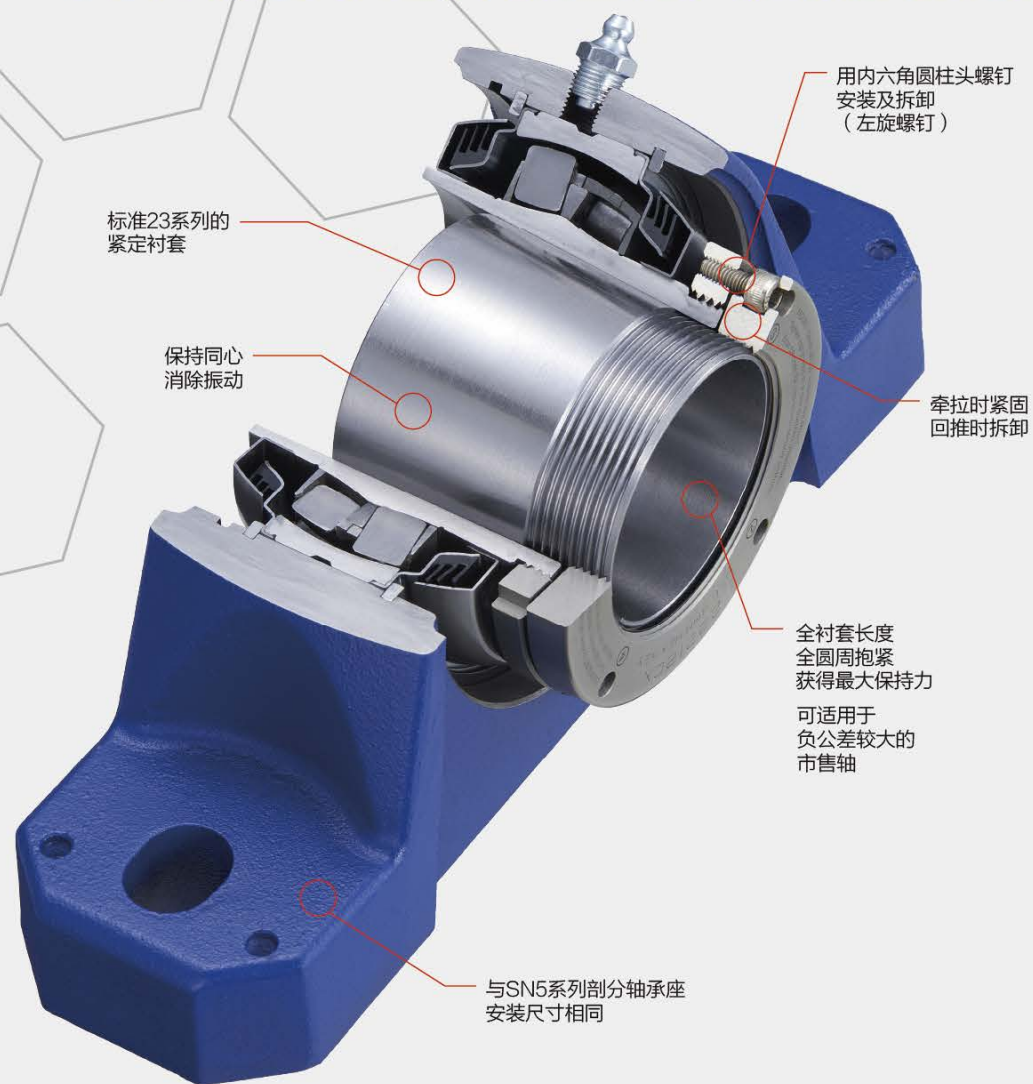
润滑

我们的复合锂基润滑脂具有非常高的EP (抗极压特性) 和AW (抗磨性) 指标, 以及优良的防水性, 抗氧化性能和剪切稳定性。此润滑脂使用温度范围是 -20°C (-4°F) 到 $+160^\circ\text{C}$ ($+320^\circ\text{F}$), 短时间耐温 $+200^\circ\text{C}$ ($+392^\circ\text{F}$)。



CROSSLOC™

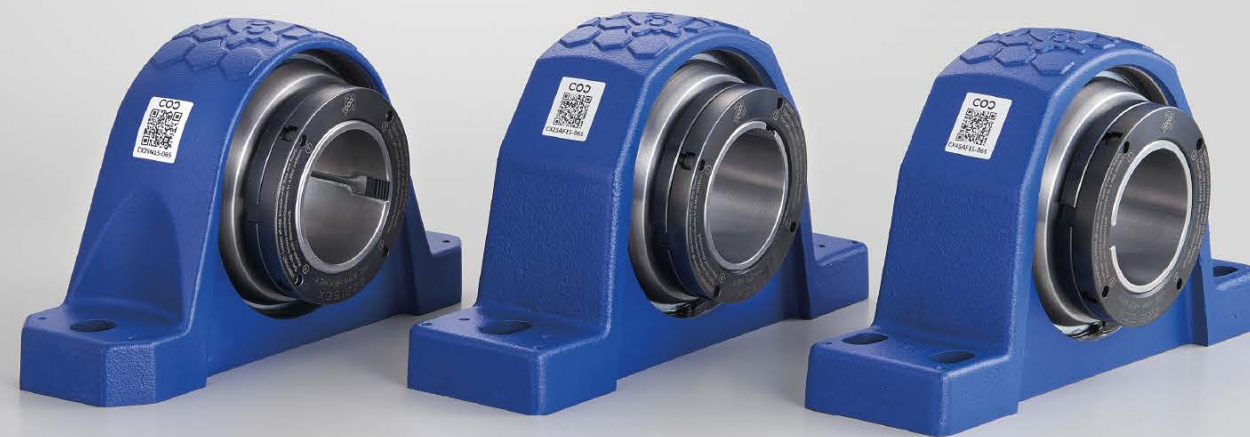
与SN和SAF组件有互换性的锁紧系统



CROSSLOC™锁紧系统与SN或SAF轴承座组成的轴承组件可替代标准剖分式SN或SAF系列轴承座。

已获取专利的CROSSLOC™锁紧系统，仅在一端即可安装拆卸轴承。交叉拧紧4处的圆柱头螺钉就可以安装，反向松开就能拆卸。只需要一个六角扳手。对于直径负公差的市售轴，也可以保持全圆周面接触而紧固安装。

**无需使用塞尺、标记笔和锤子。
只需要一个六角扳手即可。**



CX2SN

CX2SAF

CX4SAF

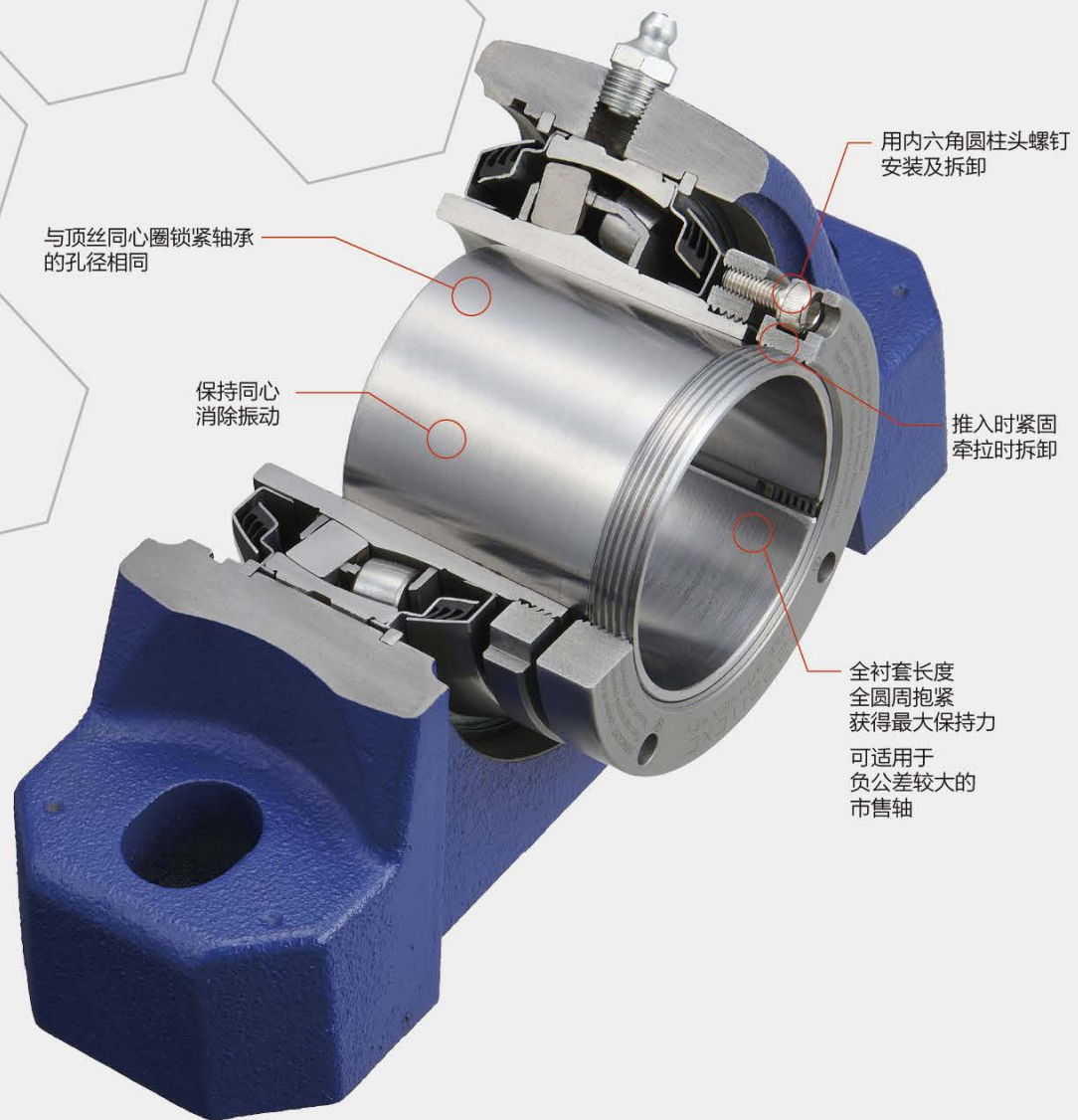
在我们的锁紧系统中使用标准的市售套筒，所以100%地与SN或SAF产品有兼容互换性。轴承在同等轴径的前提下，因为中间加了套筒，轴承要比CS顶丝锁紧轴承大一个型号。我们的SN和SAF产品在工厂已装好密封圈并充填了润滑脂，是组件成品。用户可以直接与轴组装。





CROSSLOC™ CXC

互换于圆柱孔系列产品

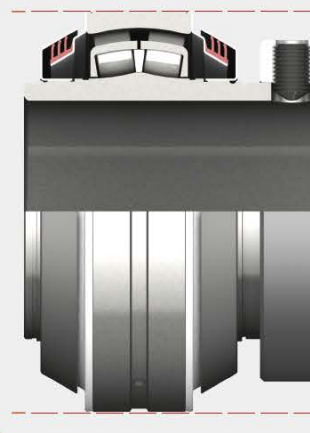
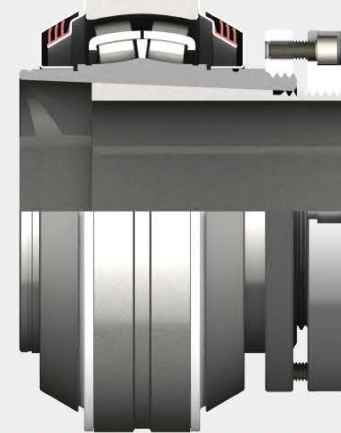


22200K
+ 紧定套

CX
CROSSLOC™

CS
顶丝锁紧

CXC
CROSSLOC™



标准
SN & SAF

仅适于
SN & SAF

适于其他所有轴承座

22200K 和CROSSLOC™CX轴承在同等轴径的前提下，因为中间加了套筒，轴承外径要比CS顶丝锁紧轴承大一个型号。

CROSSLOC™ CXC轴承与顶丝锁紧圆柱孔轴承的外径是相同的。它的外径比与SN和SAF轴承座匹配的CROSSLOC™ CX轴承小一个型号。所以我们能推出CROSSLOC™ CXC薄壁小锥度紧定套产品来互换和兼容CS顶丝锁紧轴承。

型号命名系统

CX 2SN 12 - 055 E L

锁紧式样
 CS - 顶丝同心圈 CX - CROSSLOC™
 CXC - CROSSLOC™ CXC

轴承座式样
 2P - 2孔立式座 4P - 4孔立式座 2EP - 2孔E型立式座
 4EP - 4孔E型立式座 2SN - SN式样2孔立式座
 2SAF - SAF式样2孔立式座 4SAF - SAF式样4孔立式座
 4F - 4孔方形法兰座 4FC - 带导向止口的4孔圆形法兰座

轴承内孔系列代码
 222XX (e.g.12 = 22212)

所用轴径尺寸代码
 英制: 以 1/16 英寸为单位 (e.g. 203 = 2 3/16")
 公制: 毫米 (e.g. 055 = 55mm)

固定式样 (无后缀代码)
 E - 可移动式样

接触密封 (无后缀代码)
 L - 非接触密封 (迷宫密封)

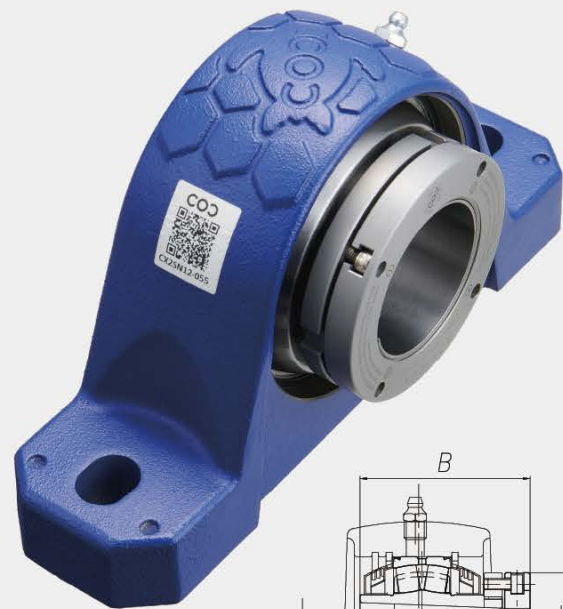


扫描二维码链接 以下网站信息

- 所扫描产品型号的尺寸表
- 安装视频
- 保养维护信息

二维码内包含网站链接信息和产品序列号





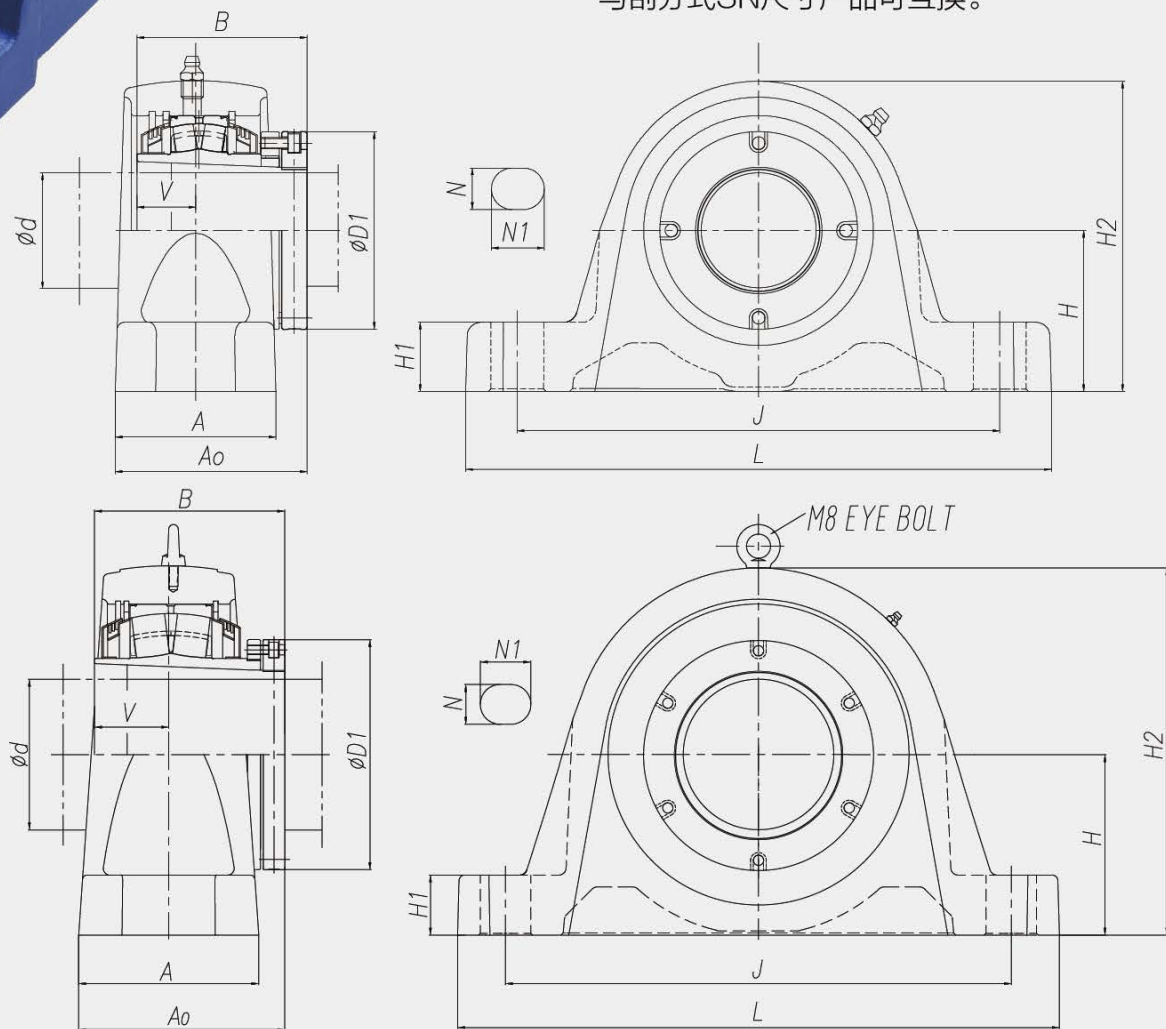
CX2SN

CROSSLOC™

CROSSLOC™锁紧系统的球面滚子轴承与2螺栓孔SN尺寸立式座的组件。

全衬套长度全圆周抱紧，获得最大保持力

与剖分式SN尺寸产品可互换。



CX2SN28-125 - CX2SN32-140

轴承组件 型号	轴承 型号	轴径 D	紧定 衬套	H	L	A	J	N	N1	H1	H2	D1	V	A0	B	安装螺 栓尺寸	重量														
				in. mm	in. mm	in. mm	in. mm	in. mm	in. mm	in. mm	in. mm	in. mm	in. mm	in. mm	in. mm	in. mm	in. mm	in. mm	lbs kg												
CX2SN10-112	22210	1 3/4 in.	BE2310X	2-23/64	8-1/16	2-23/64	6-11/16	19/32	25/32	63/64	4-17/32	3-3/32	29/32	3-3/64	2-49/64	1/2	9.04														
CX2SN10-045		45 mm	B2310X	60	205	60	170	15	20	25	115	78	23.21	77.29	70.5	M12	4.10														
CX2SN11-115	22211	1-15/16 in.	AA2311X	2-3/4	10-1/32	2-3/4	8-1/4	23/32	29/32	1-3/16	5-5/16	3-3/8	1	3-9/32	2-29/32	5/8	14.2														
CX2SN11-050		50 mm	A2311X															70	255	70	210	18	23	30	135	86	25.45	83.45	73.90	M16	6.44
CX2SN11-200		2 in.	AE2311X																												
CX2SN12-055	22212	55 mm	A2312X	2-3/4	10-1/32	2-3/4	8-1/4	23/32	29/32	1-3/16	5-5/16	3-17/32	1-9/64	3-27/64	3-3/16	5/8	13.7														
CX2SN13-203	22213	2-3/16 in.	AA2313X	3-5/32	10-27/32	3-5/32	9-1/16	23/32	29/32	1-3/16	6-3/32	3-25/32	1-3/16	3-3/4	3-3/8	5/8	18.7														
CX2SN13-060		60 mm	A2313X	80	275	80	230	18	23	30	155	96	30.35	95.35	85.70	M16	8.46														
CX2SN15-207	22215	2-7/16 in.	AA2315X	3-5/32	10-27/32	3-5/32	9-1/16	23/32	29/32	1-3/16	6-3/32	4-1/8	1-1/4	3-51/64	3-15/32	5/8	18.4														
CX2SN15-065		65 mm	A2315X	80	275	80	230	18	23	30	155	105	31.56	96.56	88.12	M16	8.34														
CX2SN16-211	22216	2-11/16 in.	AA2316X	3-3/4	12-19/32	3-17/32	10-1/4	7/8	1-1/16	1-1/4	7-9/32	4-17/32	1-9/32	4-5/32	3-21/32	3/4	29.9														
CX2SN16-070		70 mm	A2316X	95	320	90	260	22	27	32	185	115	32.50	105.50	93.00	M20	13.58														
CX2SN17-215	22217	2-15/16 in.	AA2317X	3-3/4	12-19/32	3-17/32	10-1/4	7/8	1-1/16	1-1/4	7-9/32	4-23/32	1-25/64	4-17/64	3-57/64	3/4	29.4														
CX2SN17-075		75 mm	A2317X															95	320	90	260	22	27	32	185	120	35.50	108.50	99.00	M20	13.32
CX2SN17-300		3 in.	AE2317X																												
CX2SN18-080	22218	80 mm	A2318X	3-15/16	13-19/32	3-15/16	11-7/16	7/8	1-1/16	1-3/8	7-11/16	5	1-15/32	4-35/64	4-1/16	3/4	35.8														
CX2SN19-085	22219	85 mm	A2319X	4-13/32	13-19/32	3-15/16	11-7/16	7/8	1-1/16	1-3/8	8-1/4	5-3/16	1-39/64	4-43/64	4-5/16	3/4	39.7														
CX2SN20-307	22220	3-7/16 in.	AA2320X	4-13/32	14-31/32	4-11/32	12-19/32	1-1/32	1-1/4	1-9/16	8-19/32	5-21/32	1-21/32	5-5/32	4-21/32	7/8	49.6														
CX2SN20-090		90 mm	A2320X	112	380	110	320	26	32	40	218	144	42.08	131.08	118.16	M24	22.48														
CX2SN22-100	22222	100 mm	A2322X	4-15/16	16-5/32	4-23/32	13-25/32	1-1/32	1-1/4	1-25/32	9-15/32	6-1/8	1-31/32	5-5/8	5-15/64	7/8	64.1														
CX2SN22-315		3-15/16 in.	A2322X	125	410	120	350	26	32	45	240	156	50.00	143.00	133.00	M24	29.07														
CX2SN24-110	22224	110 mm	A2324X	5-1/2	16-5/32	4-23/32	13-25/32	1-1/32	1-1/4	1-25/32	10-21/32	6-11/16	2-7/64	5-27/32	5-19/32	7/8	83.0														
CX2SN26-407	22226	4-7/16 in.	AA2326X	5-29/32	17-17/32	5-1/8	14-31/32	1-3/32	1-13/32	1-31/32	11-7/16	7-7/16	2-19/64	6-15/64	5-31/32	7/8	105.6														
CX2SN26-115		115 mm	A2326X	150	445	130	380	28	36	50	290	189	58.20	158.20	151.40	M24	47.89														
CX2SN28-125	22228	125 mm	A2328X	5-29/32	19-11/16	5-29/32	16-17/32	1-5/16	1-21/32	1-31/32	12	7-1/2	2-27/64	6-3/4	6-7/32	1-1/4	129.0														
CX2SN28-415		4-15/16 in.	AA2328X	150	500	150	420	33	42	50	305	191	61.50	171.50	158.00	M30	58.49														
CX2SN30-135	22230	135 mm	A2330X	6-5/16	20-7/8	6-5/16	17-23/32	1-5/16	1-21/32	2-3/8	12-25/32	8-1/8	2-31/64	7-11/64	6-1/2	1-1/4	158.0														
CX2SN32-507	22232	5-7/16 in.	AA2332X	6-11/16	21-21/32	6-5/16	18-1/2	1-5/16	1-21/32	2-3/8	13-19/32	8-21/32	2-21/32	7-3/8	6-57/64	1-1/4	189.0														
CX2SN32-508		5-1/2 in.	AE2332X															170	550	160	470	33	42	60	345	220	67.50	187.50	175.00	M30	85.76
CX2SN32-140		140 mm	A2332X																												



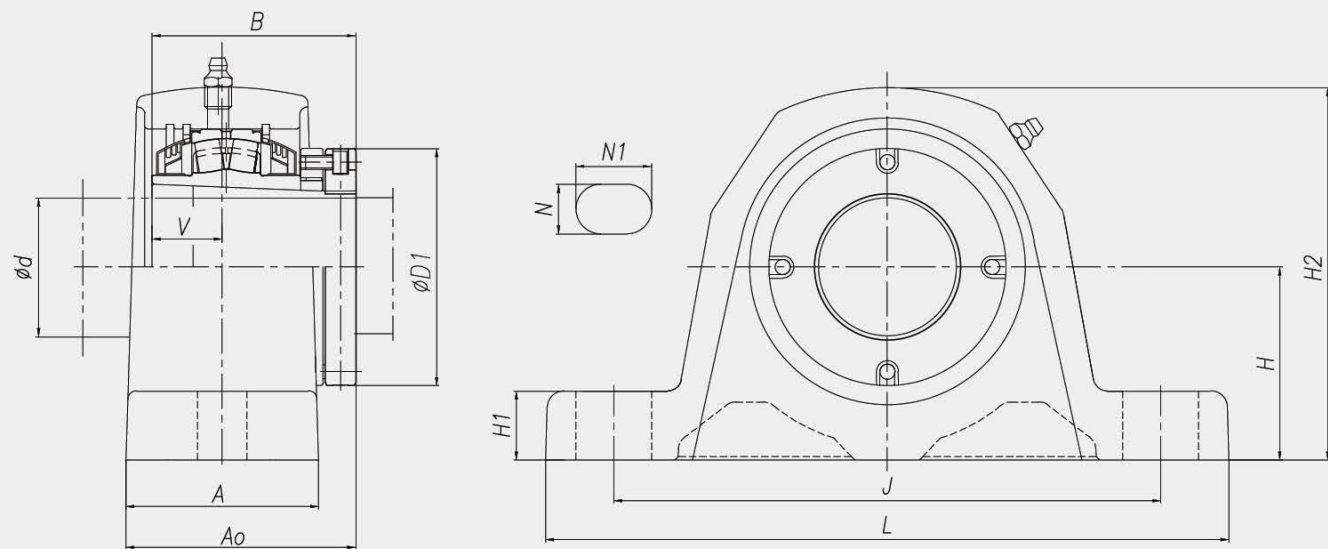
CX2SAF

CROSSLOC™

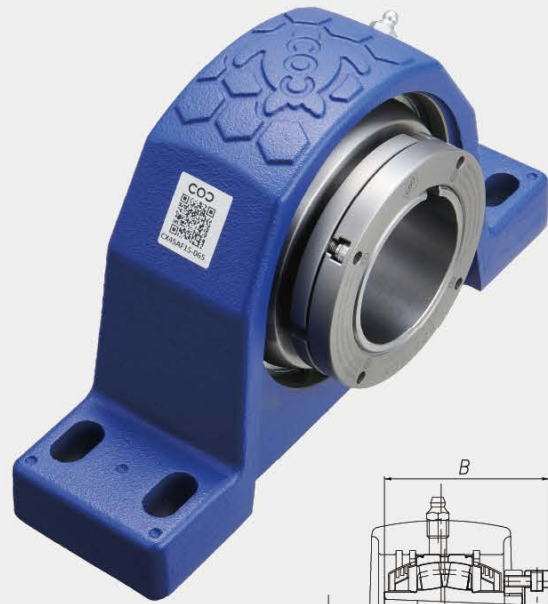
CROSSLOC™锁紧系统的球面滚子轴承与2螺栓孔SAF尺寸立式座的组件。

全衬套长度全圆周抱紧，获得最大保持力

与SAF尺寸产品可互换。



轴承组件 型号	轴承 型号	轴径 D	紧定 衬套	H	L	A	J	N	N1	H1	H2	D1	V	A0	B	安装螺 栓尺寸	重量
				in. mm	in. mm	in. mm	in. mm	in. mm	in. mm	in. mm	in. mm	in. mm	in. mm	in. mm	in. mm	in. mm	in. mm
CX2SAF10-111	22210	1-11/16 in.	BA2310X	2-1/2 63.5	8-9/32 210	2-23/64 60	6-23/32 171	19/32 15	7/8 22	1-1/8 28	4-21/32 118	3-3/32 78	29/32 23.21	3-1/32 77.05	2-49/64 70.5	1/2 M12	9.9 4.5
CX2SAF10-112		1-3/4 in.	BE2310X														
CX2SAF10-045		45 mm	B2310X														
CX2SAF11-115	22211	1-15/16 in.	AA2311X	2-3/4 69.85	9-3/4 247	2-3/4 70	7-13/16 198.5	23/32 18	1-3/32 27.7	1 25	5-5/16 135	3-3/8 86	1 25.45	3-9/32 83.45	2-29/32 73.90	5/8 M16	13.2 5.99
CX2SAF11-050		50 mm	A2311X														
CX2SAF11-200		2 in.	AE2311X														
CX2SAF13-203	22213	2-3/16 in.	AA2313X	3 76.2	11-1/32 280	3-5/32 80	8-25/32 223.5	23/32 18	1-3/16 30.5	1-1/32 26	6-1/16 154	3-25/32 96	1-3/16 30.35	3-3/4 95.35	3-3/8 85.70	5/8 M16	15.6 7.08
CX2SAF13-060		60 mm	A2313X														
CX2SAF15-207	22215	2-7/16 in.	AA2315X	3-1/4 82.55	11-3/16 284	3-5/32 80	9-1/8 232	23/32 18	1-5/32 29	1-3/16 30	6-5/16 160	4-1/8 105	1-1/4 31.56	3-51/64 96.56	3-15/32 88.12	5/8 M16	20.7 9.43
CX2SAF15-065		65 mm	A2315X														
CX2SAF16-211	22216	2-11/16 in.	AA2316X	3-1/2 88.9	13 330	3-17/32 90	10-5/16 262	7/8 22	1-15/32 37	1-3/32 27.6	7-1/16 179	4-17/32 115	1-9/32 32.50	4-5/32 105.50	3-21/32 93.00	3/4 M20	29.9 13.6
CX2SAF16-070		70 mm	A2316X														
CX2SAF17-215	22217	2-15/16 in.	AA2317X	3-3/4 95.25	13 330	3-17/32 90	10-5/16 262	7/8 22	1-15/32 37	1-11/32 34	7-9/32 185	4-23/32 120	1-25/64 35.50	4-17/64 108.50	3-57/64 99.00	3/4 M20	31.3 14.25
CX2SAF17-075		75 mm	A2317X														
CX2SAF20-307	22220	3-7/16 in.	AA2320X	4-1/2 114.3	15-9/32 388	4-11/32 110	12-3/8 314	1-1/32 26	1-11/16 43	1-21/32 42	8-21/32 220	5-21/32 144	1-21/32 42.08	5-5/32 131.08	4-21/32 118.16	7/8 M24	52.6 23.89
CX2SAF20-090		90 mm	A2320X														



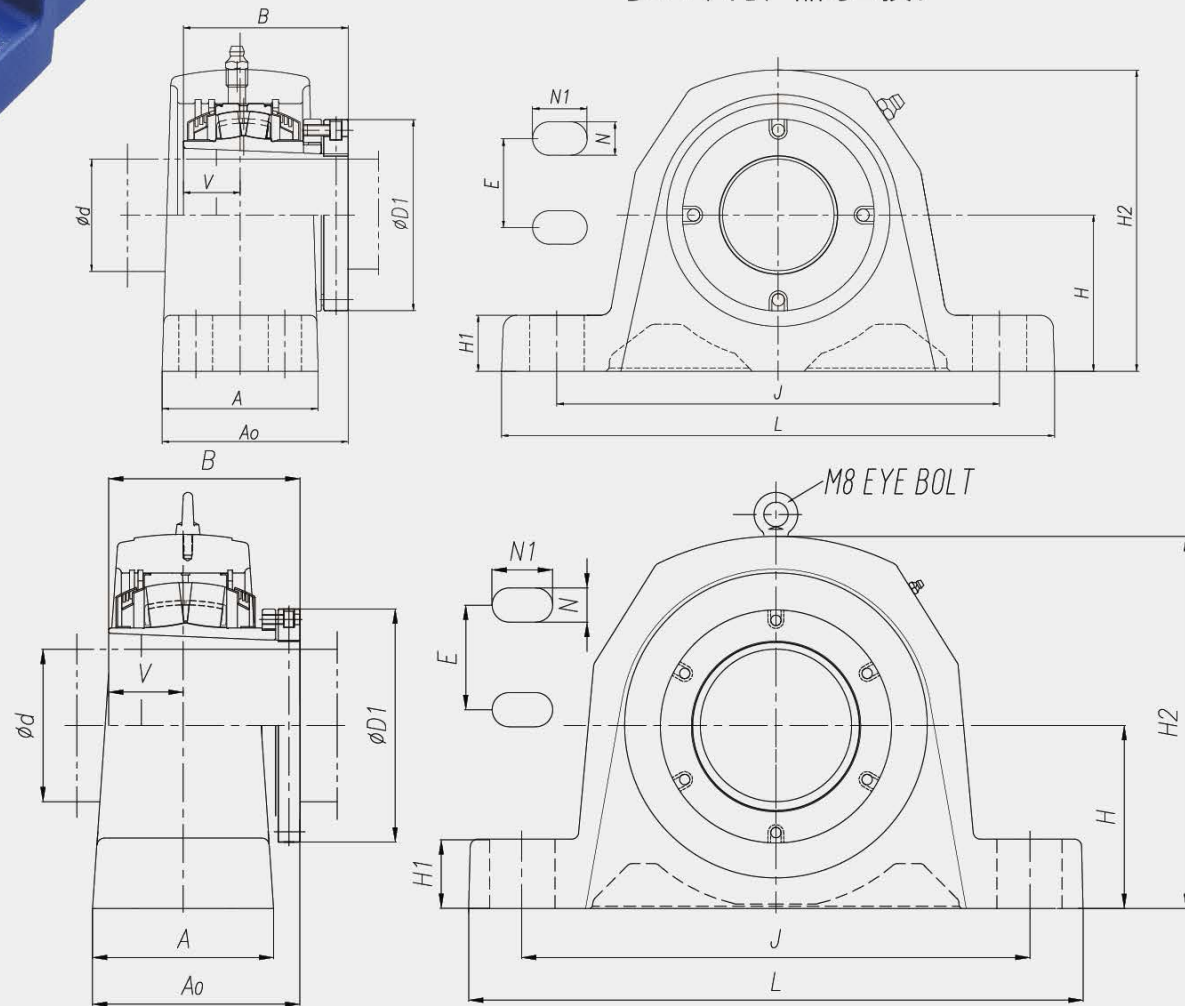
CX4SAF

CROSSLOC™

CROSSLOC™锁紧系统的球面滚子轴承与4螺栓孔SAF尺寸立式座的组件。

全衬套长度全圆周抱紧，获得最大保持力

与SAF尺寸产品可互换。



CX4SAF28-125 - CX4SAF32-140

轴承组件 型号	轴承 型号	轴径 D	紧定 衬套	H	L	A	J	N	N1	E	H1	H2	D1	V	A0	B	安装螺 栓尺寸	重量
				in. mm	in. mm	in. mm	in. mm	in. mm	in. mm	in. mm	in. mm	in. mm	in. mm	in. mm	in. mm	in. mm	in. mm	in. mm
CX4SAF15-207	22215	2-7/16 in.	AA2315X	3-1/4	11-3/16	3-5/32	9-1/8	19/32	1-1/32	1-7/8	1-3/16	6-5/16	4-1/8	1-1/4	3-51/64	3-15/32	1/2	20.5
CX4SAF15-065		65 mm	A2315X	82.55	284	80	232	15	26	47.8	30	160	105	31.56	96.56	88.12	M12	9.33
CX4SAF16-211	22216	2-11/16 in.	AA2316X	3-1/2	13	3-17/32	10-5/16	23/32	1-11/32	2-1/8	1-3/32	7-1/16	4-17/32	1-9/32	4-5/32	3-21/32	5/8	29.3
CX4SAF16-070		70 mm	A2316X	88.90	330	90	262	18	34	54	27.6	179	115	32.50	105.50	93.00	M16	13.3
CX4SAF17-215	22217	2-15/16 in.	AA2317X	3-3/4	13	3-17/32	10-5/16	23/32	1-11/16	2-1/8	1-11/32	7-9/32	4-23/32	1-25/64	4-17/64	3-57/64	5/8	30.7
CX4SAF17-075		75 mm	A2317X	95.25	330	90	262	18	34	54	34	185	120	35.50	108.50	99.00	M16	13.95
CX4SAF20-307	22220	3-7/16 in.	AA2320X	4-1/2	15-9/32	4-11/32	12-3/8	7/8	1-9/16	2-3/8	1-21/32	8-21/32	5-21/32	1-21/32	5-5/32	4-21/32	3/4	51.5
CX4SAF20-090		90 mm	A2320X	114.30	388	110	314	22	40	60.4	42	220	144	42.08	131.08	118.16	M20	23.39
CX4SAF22-100	22222	100 mm	A2322X	4-15/16	16-1/2	4-23/32	13-9/16	7/8	1-25/32	2-3/4	1-31/32	9-15/32	6-1/8	1-31/32	5-5/8	5-15/64	3/4	68.35
CX4SAF22-315		3-15/16 in.	A2322X	125.41	419	120	344	22	45	69.9	50	240	156	50.00	143.00	133.00	M20	31.07
CX4SAF26-407	22226	4-7/16 in.	AA2326X	6	18-3/8	5-1/8	15-9/32	15/16	1-5/8	3-1/4	2-3/8	11-1/2	7-7/16	2-19/64	6-15/64	5-31/32	7/8	114.62
CX4SAF26-115		115 mm	A2326X	152.4	467	130	388.5	24	41	82.6	60	292	189	58.20	158.20	151.40	M22	52.10
CX4SAF28-125	22228	125 mm	A2328X	6	20	5-29/32	16-1/2	1-3/32	1-31/32	3-3/8	2-3/8	12-3/32	7-1/2	2-27/64	6-3/4	6-7/32	1	132.46
CX4SAF28-415		4-15/16 in.	AA2328X	152.4	508	150	419	28	50	85.8	60	307	191	61.50	171.50	158.00	M24	60.21
CX4SAF32-507	22232	5-7/16 in.	AA2332X															
CX4SAF32-508		5-1/2 in.	AE2332X	6-11/16	21-7/8	6-5/16	18-5/16	1-3/32	1-15/16	3-3/4	2-19/32	13-19/32	8-21/32	2-21/32	7-3/8	6-57/64	1	193.82
CX4SAF32-140		140 mm	A2332X	169.86	556	160	465	28	49	95.3	66	345	220	67.50	187.50	175.00	M24	88.10

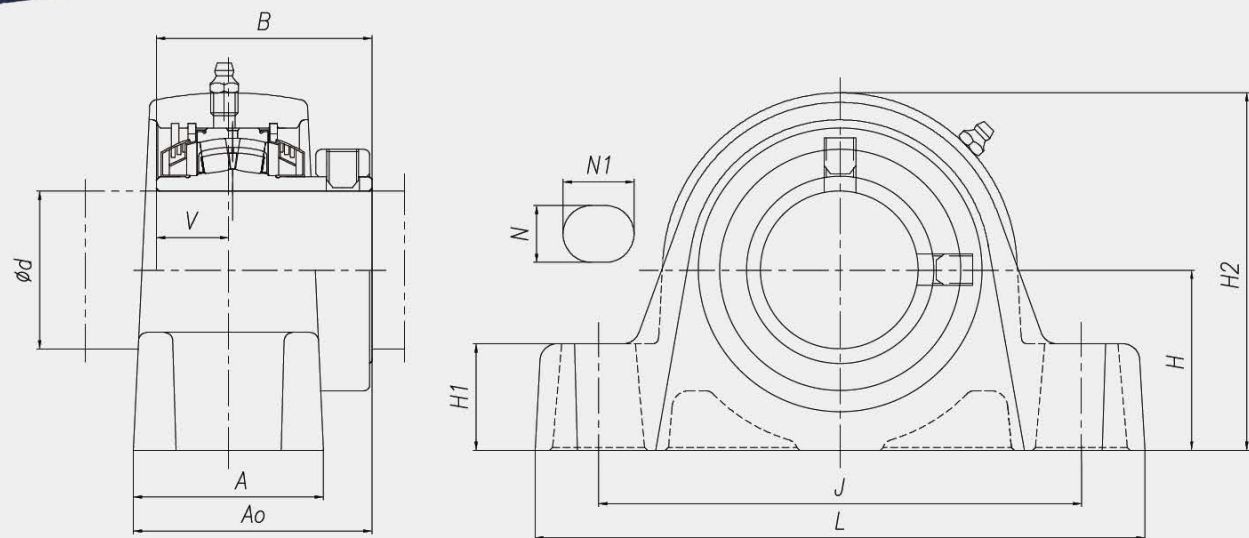




CS2P

顶丝同心圈锁紧的球面滚子轴承与2螺栓孔立式座的组件。

同心圈及相隔90° 经过防松处理的顶丝进行锁紧，可保持最大锁紧力。



轴承组件 型号	轴承 型号	轴径 D	H	L	A	J	N	N1	H1	H2	V	A0	B	安装螺 栓尺寸	重量	
			in. mm	in. mm	in. mm	in. mm	in. mm	in. mm	in. mm	in. mm	in. mm	in. mm	in. mm		in. mm	lbs
CS2P08-107	22208	1-7/16 in.	1-7/8 47.6	6-5/8 168	2-1/8 54	5 127	19/32 15	31/32 25	1-1/8 28	3-27/32 98	7/8 22.35	2-57/64 73.5	2-45/64 68.89	1/2 M12	5.37	2.44
CS2P08-108		1-1/2 in.													5.32	2.42
CS2P08-040		40 mm													5.39	2.45
CS2P09-111	22209	1-11/16 in.	2-1/8 54	7-1/8 181	2-1/8 54	5-1/2 140	19/32 15	31/32 25	1-1/4 32	4-9/32 109	59/64 23.37	2-29/32 73.7	2-49/64 70.1	1/2 M12	6.93	3.15
CS2P09-112		1-3/4 in.													6.82	3.1
CS2P09-045		45 mm													6.77	3.08
CS2P10-115	22210	1-15/16 in.	2-1/4 57.2	8 203	2-1/8 54	6-1/4 159	25/32 20	31/32 25	1-5/16 33	4-1/2 114	57/64 22.61	3-1/64 76.5	2-27/32 72.14	5/8 M16	8.18	3.72
CS2P10-050		50 mm													8.16	3.71
CS2P10-200		2 in.													8.07	3.67
CS2P11-055	22211	55 mm	2-1/2 63.5	8-1/2 216	2-5/8 67	6-3/4 170	25/32 20	31/32 25	1-1/2 38	4-31/32 126	1 25.45	3-5/16 84.1	3 76	5/8 M16	11.22	5.1
CS2P11-203		2-3/16 in.													11.22	5.1
CS2P11-204		2-1/4 in.													11.04	5.02
CS2P13-060	22213	60 mm	2-3/4 69.8	8-7/8 225	2-13/16 72	7-1/8 181	25/32 20	31/32 25	1-5/8 41	5-19/32 142	1-1/8 28.7	3-27/32 97.47	3-35/64 90.17	5/8 M16	15.22	6.92
CS2P13-207		2-7/16 in.													14.98	6.81
CS2P13-208		2-1/2 in.													14.69	6.68
CS2P13-065		65 mm													14.52	6.60
CS2P15-211	22215	2-11/16 in.	3-1/4 82.6	10-5/16 262	3 76	8-1/8 206	15/16 24	1-11/32 34	1-29/32 48	6-3/8 162	1-11/64 29.72	3-31/32 101.0	3-21/32 92.71	3/4 M20	20.02	9.1
CS2P15-212		2-3/4 in.													20.32	9.24
CS2P15-070		70 mm													19.84	9.02
CS2P15-215		2-15/16 in.													19.20	8.73
CS2P15-075		75 mm													19.16	8.71
CS2P15-300		3 in.													18.92	8.6
CS2P18-080	22218	80 mm	3-3/4 95.2	12-5/8 321	3-3/8 86	10 254	1-1/16 27	1-21/32 42	2-1/4 57	7-15/32 190	1-13/32 35.81	4-13/32 111.8	4-1/8 104.74	7/8 M22	33.72	15.33
CS2P18-085		85 mm													32.78	14.9
CS2P18-307		3-7/16 in.													32.60	14.82
CS2P18-308		3-1/2 in.													31.98	14.54
CS2P18-090		90 mm													31.57	14.35
CS2P20-100	22220	100 mm	4-1/4 108	15-1/8 384	3-3/4 95	11-3/4 298	1-5/32 29	2-5/16 59	2-7/16 62	8-11/32 212	1-19/32 40.39	4-59/64 125.0	4-41/64 117.73	1 M24	45.16	20.53
CS2P20-315		3-15/16 in.													45.16	20.53
CS2P20-400		4 in.													44.72	20.33



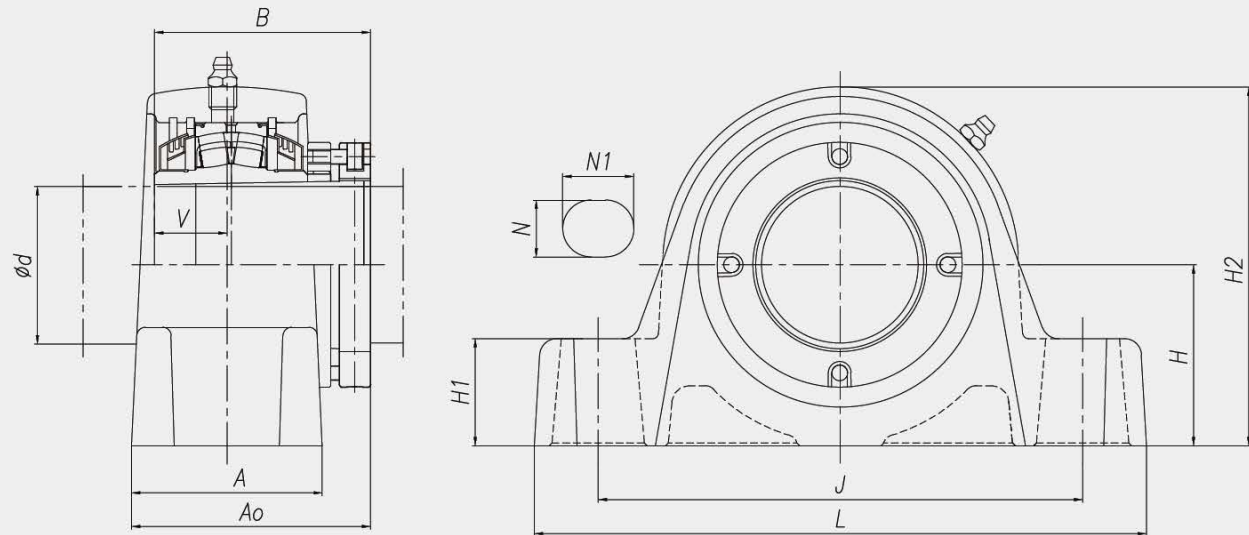


CXC2P

CROSSLOC™ CXC

CROSSLOC CXC 锁紧系统的球面滚子轴承与2螺栓孔立式座的组件。

全衬套长度全圆周抱紧，获得最大保持力



轴承组件 型号	轴承 型号	轴径 D	H	L	A	J	N	N1	H1	H2	V	A0	B	安装螺 栓尺寸	重量	
			in. mm	in. mm	in. mm	in. mm	in. mm	in. mm	in. mm	in. mm	in. mm	in. mm	in. mm		in. mm	lbs
CXC2P08-107	22208	1-7/16 in.	1-7/8	6-5/8	2-1/8	5	19/32	31/32	1-1/8	3-27/32	7/8	2-57/64	2-45/64	1/2	5.52	2.51
CXC2P08-108		1-1/2 in.	47.6	168	54	127	15	25	28	98	22.35	73.5	68.89	M12	5.48	2.49
CXC2P09-111	22209	1-11/16 in.	2-1/8	7-1/8	2-1/8	5-1/2	19/32	31/32	1-1/4	4-9/32	59/64	2-29/32	2-49/64	1/2	7.33	3.33
			54	181	54	140	15	25	32	109	23.37	73.7	70.1	M12		
CXC2P10-115	22210	1-15/16 in.	2-1/4	8	2-1/8	6-1/4	25/32	31/32	1-5/16	4-1/2	57/64	3-1/64	2-27/32	5/8	8.65	3.93
			57.2	203	54	159	20	25	33	114	22.61	76.5	72.14	M16		
CXC2P11-055	22211	55 mm	2-1/2	8-1/2	2-5/8	6-3/4	25/32	31/32	1-1/2	4-31/32	1	3-7/32	2-29/32	5/8	11.64	5.29
CXC2P11-203		2-3/16 in.	63.5	216	67	170	20	25	38	126	25.45	81.97	73.9	M16	11.48	5.22
CXC2P13-060	22213	60 mm													15.38	6.99
CXC2P13-207		2-7/16 in.	2-3/4	8-7/8	2-13/16	7-1/8	25/32	31/32	1-5/8	5-19/32	1-1/8	3-21/32	3-3/8	5/8	15.26	6.94
CXC2P13-208		2-1/2 in.	69.8	225	72	181	20	25	41	142	28.7	92.98	85.68	M16	15.18	6.9
CXC2P13-065		65 mm													14.94	6.78
CXC2P15-211	22215	2-11/16 in.													20.44	9.29
CXC2P15-212		2-3/4 in.													20.33	9.24
CXC2P15-070		70 mm	3-1/4	10-5/16	3	8-1/8	15/16	1-11/32	1-29/32	6-3/8	1-11/64	3-51/64	3-15/32	3/4	20.06	9.12
CXC2P15-215		2-15/16 in.	82.6	262	76	206	24	34	48	162	29.72	96.41	88.12	M20	19.21	8.73
CXC2P15-075		75 mm													19.38	8.81
CXC2P15-300		3 in.													18.81	8.55
CXC2P18-080	22218	80 mm													34.01	15.48
CXC2P18-085		85 mm													33.53	15.24
CXC2P18-307		3-7/16 in.	3-3/4	12-5/8	3-3/8	10	1-1/16	1-21/32	2-1/4	7-15/32	1-13/32	4-11/32	4-1/16	7/8	33.11	15.05
CXC2P18-308		3-1/2 in.	95.2	321	86	254	27	42	57	190	35.81	110.08	103.02	M22	32.93	14.97
CXC2P18-090		90 mm													32.32	14.69
CXC2P20-100	22220	100 mm													46.45	21.07
CXC2P20-315		3-15/16 in.	4-1/4	15-1/8	3-3/4	11-3/4	1-5/32	2-5/16	2-7/16	8-11/32	1-19/32	4-15/16	4-21/32	1	45.72	20.78
CXC2P20-400		4 in.	108	384	95	298	29	59	62	212	40.39	125.43	118.16	M24	45.72	20.78

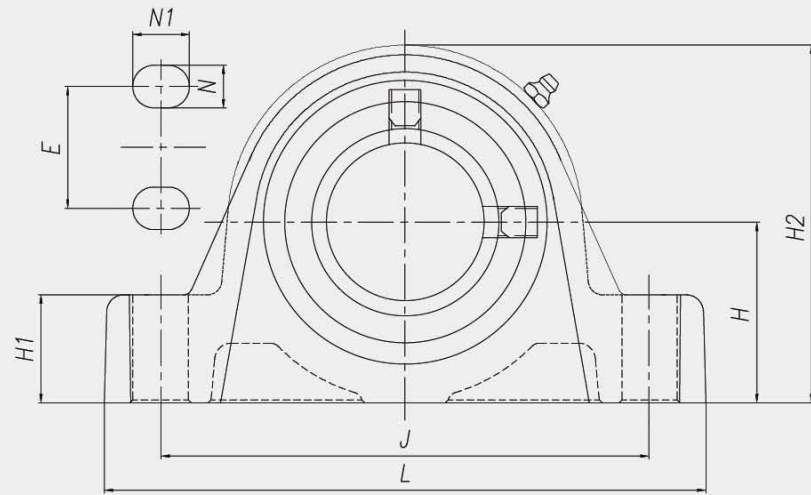
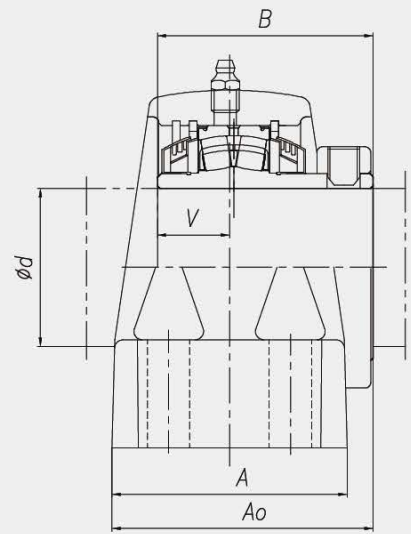




CS4P

顶丝同心圈锁紧的球面滚子轴承与4螺栓孔立式座的组件。

同心圈及相隔90° 经过防松处理的顶丝进行锁紧, 可保持最大锁紧力。



轴承组件 型号	轴承 型号	轴径 D	H	L	A	J	N	N1	E	H1	H2	V	A0	B	安装螺 栓尺寸	重量	
			in. mm	in. mm	in. mm	in. mm	in. mm	in. mm	in. mm	in. mm	in. mm	in. mm	in. mm	in. mm		in. mm	lbs
CS4P13-060	22213	60 mm														15.99	7.27
CS4P13-207		2-7/16 in.	2-3/4 69.8	8-3/4 222	3-3/8 86	7-1/8 181	19/32 15	25/32 20	1-3/4 44	1-5/8 41	5-19/32 142	1-1/8 28.7	4-7/64 104.47	3-35/64 90.17	1/2 M12	15.75	7.16
CS4P13-208		2-1/2 in.														15.46	7.03
CS4P13-065		65 mm														15.29	6.95
CS4P15-211	22215	2-11/16 in.														21.29	9.68
CS4P15-212		2-3/4 in.														21.60	9.82
CS4P15-070		70 mm	3-1/4 82.6	9-7/8 251	3-3/4 95	8-1/8 206	25/32 20	29/32 23	1-7/8 48	1-29/32 48	6-3/8 162	1-11/64 29.72	4-11/32 110.49	3-21/32 92.71	5/8 M16	21.12	9.6
CS4P15-215		2-15/16 in.														20.48	9.31
CS4P15-075		75 mm														20.43	9.29
CS4P15-300		3 in.														20.19	9.18
CS4P18-080	22218	80 mm														35.53	16.15
CS4P18-085		85 mm														34.58	15.72
CS4P18-307		3-7/16 in.	3-3/4 95.2	12-13/32 315	4-1/8 105	10 254	15/16 24	1-13/32 36	2 50.8	2-1/4 57	7-15/32 190	1-13/32 35.81	4-49/64 121.43	4-1/8 104.74	3/4 M20	34.40	15.64
CS4P18-308		3-1/2 in.														33.79	15.36
CS4P18-090		90 mm														33.37	15.17
CS4P20-100	22220	100 mm														47.56	21.62
CS4P20-315		3-15/16 in.	4-1/4 108	14-3/4 375	4-1/2 114	12-7/32 310	15/16 24	1-1/2 38	2-1/4 57	2-7/16 62	8-11/32 212	1-19/32 40.39	5-9/32 134.34	4-41/64 117.73	3/4 M20	47.54	21.61
CS4P20-400		4 in.														47.08	21.4
CS4P22-407	22222	4-7/16 in.	4-3/4 120.7	16-1/2 419	4-3/4 120	13-5/16 338	15/16 24	1-1/2 38	2-1/2 63.5	2-3/4 70	9-1/2 241	1-31/32 50	5-17/32 140.55	5-9/64 130.55	3/4 M20	68.13	30.97



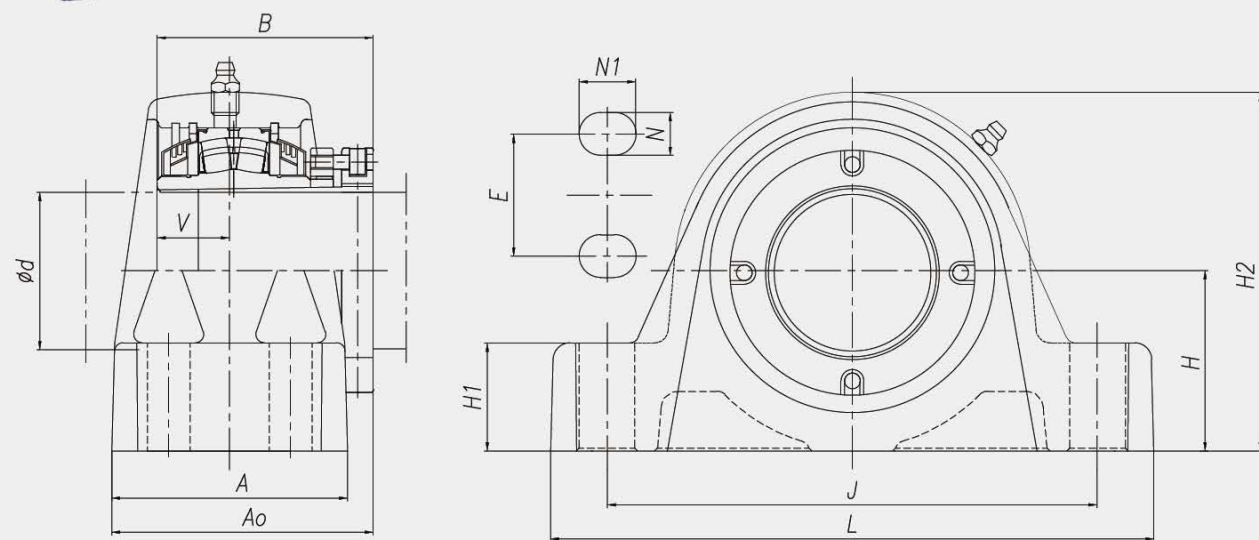


CXC4P

CROSSLOC™ CXC

CROSSLOC CXC 锁紧系统的球面滚子轴承与4螺栓孔立式座的组件。

全衬套长度全圆周抱紧，获得最大保持力



轴承组件 型号	轴承 型号	轴径 D	H	L	A	J	N	N1	E	H1	H2	V	A0	B	安装螺 栓尺寸	重量	
			in. mm	in. mm	in. mm	in. mm	in. mm	in. mm	in. mm	in. mm	in. mm	in. mm	in. mm	in. mm		in. mm	lbs
CXC4P13-060	22213	60 mm	2-3/4 69.8	8-3/4 222	3-3/8 86	7-1/8 181	19/32 15	25/32 20	1-3/4 44	1-5/8 41	5-19/32 142	1-1/8 28.7	4-15/16 99.98	3-3/8 85.68	1/2 M12	16.21	7.37
CXC4P13-207		2-7/16 in.														16.06	7.30
CXC4P13-208		2-1/2 in.														15.97	7.26
CXC4P13-065		65 mm														15.68	7.13
CXC4P15-211	22215	2-11/16 in.	3-1/4 82.6	9-7/8 251	3-3/4 95	8-1/8 206	25/32 20	29/32 23	1-7/8 48	1-29/32 48	6-3/8 162	1-11/64 29.72	4-11/64 105.9	3-15/32 88.12	5/8 M16	21.51	9.78
CXC4P15-212		2-3/4 in.														21.82	9.92
CXC4P15-070		70 mm														21.34	9.7
CXC4P15-215		2-15/16 in.														20.70	9.41
CXC4P15-075		75 mm														20.65	9.39
CXC4P15-300		3 in.														20.21	9.19
CXC4P18-080	22218	80 mm	3-3/4 95.2	12-13/32 315	4-1/8 105	10 254	15/16 24	1-13/32 36	2 50.8	2-1/4 57	7-15/32 190	1-13/32 35.81	4-23/32 119.71	4-1/16 103.02	3/4 M20	35.86	16.30
CXC4P18-085		85 mm														35.64	16.20
CXC4P18-307		3-7/16 in.														35.24	16.02
CXC4P18-308		3-1/2 in.														35.92	16.32
CXC4P18-090		90 mm														34.45	15.66
CXC4P20-100	22220	100 mm	4-1/4 108	14-3/4 375	4-1/2 114	12-7/32 310	15/16 24	1-1/2 38	2-1/4 57	2-7/16 62	8-11/32 212	1-19/32 40.39	5-5/16 134.77	4-21/32 118.16	3/4 M20	49.98	22.72
CXC4P20-315		3-15/16 in.														48.00	21.82
CXC4P20-400		4 in.														47.54	21.61
CXC4P22-110	22222	110 mm	4-3/4 120.7	16-1/2 419	4-3/4 120	13-5/16 338	15/16 24	1-1/2 38	2-1/2 63.5	2-3/4 70	9-1/2 241	1-31/32 50	5-5/8 143	5-15/64 133	3/4 M20	69.85	31.75
CXC4P22-407		4-7/16 in.														68.90	31.32
CXC4(E)P26-125	22226	125 mm	5-1/2 139.7	18-5/8 473	5-3/8 137	15-1/2 398	1-1/32 26	1-17/32 39	2-13/16 71.4	3 76	11 280	2-19/32 58.2	6-3/8 161.7	5-31/32 151.4	7/8 M22	110.5	50.22
CXC4(E)P26-415		4-15/16 in.														108.5	49.31
CXC4(E)P26-500		5 in.														108.0	49.10

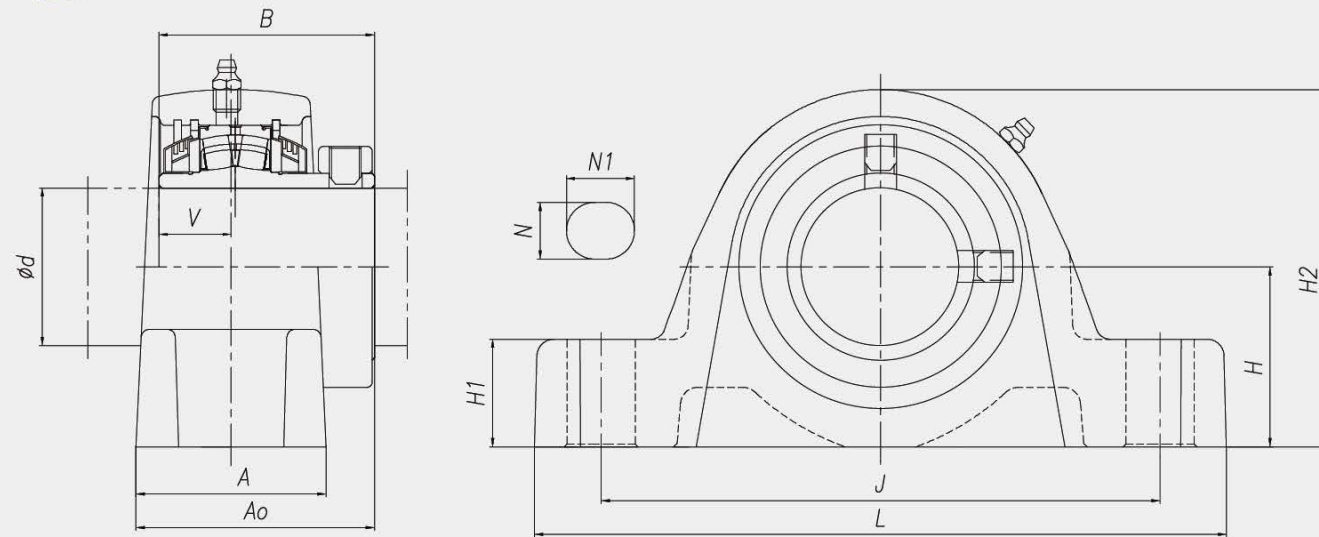


CS2EP



顶丝同心圈锁紧的球面滚子轴承与2螺栓孔E型立式座的组件。

同心圈及相隔90° 经过防松处理的顶丝进行锁紧，可保持最大锁紧力。



轴承组件型号	轴承型号	轴径 D	H	L	A	J	N	N1	H1	H2	V	A0	B	安装螺栓尺寸	重量		
			in. mm	in. mm	in. mm	in. mm	in. mm	in. mm	in. mm	in. mm	in. mm	in. mm	in. mm		in. mm	lbs	kg
CS2EP08-107	22208	1-7/16 in.	1-7/8 47.6	7-5/16 185	2-1/8 54	5-3/4 146	19/32 15	25/32 20	1-1/8 28	3-27/32 98	7/8 22.35	2-57/64 73.5	2-45/64 68.89	1/2 M12	5.96	2.71	
CS2EP09-111	22209	1-11/16 in.	2-1/8 54	7-13/16 198	2-1/8 54	6-1/4 159	19/32 15	25/32 20	1-1/4 32	4-9/32 109	59/64 23.37	2-29/32 73.7	2-49/64 70.1	1/2 M12	7.63	3.47	
CS2EP10-115	22210	1-15/16 in.	2-1/4 57.2	8-21/32 220	2-1/8 54	7 178	25/32 20	15/16 24	1-5/16 33	4-1/2 114	57/64 22.61	3-1/64 76.5	2-27/32 72.14	5/8 M16	8.82	4.01	
CS2EP10-200		2 in.														8.71	3.96
CS2EP11-203	22211	2-3/16 in.	2-1/2 63.5	9-5/8 244	2-5/8 67	7-3/4 197	25/32 20	15/16 24	1-1/2 38	4-31/32 126	1 25.45	3-5/16 84.1	3 76	5/8 M16	12.49	5.68	
CS2EP13-207	22213	2-7/16 in.	2-3/4 69.8	10-5/32 258	2-13/16 72	8-1/2 216	25/32 20	15/16 24	1-5/8 41	5-19/32 142	1-1/8 28.7	3-27/32 97.47	3-35/64 90.17	5/8 M16	16.74	7.61	
CS2EP13-208		2-1/2 in.														16.45	7.48
CS2EP15-211	22215	2-11/16 in.														22	10
CS2EP15-212		2-3/4 in.	3-1/8 79.5	11-21/32 296	3 76	9-1/2 241	15/16 24	1-11/32 34	1-29/32 48	6-1/4 159	1-11/64 29.72	3-31/32 101.0	3-21/32 92.71	3/4 M20	22.30	10.14	
CS2EP15-215		2-15/16 in.														21.18	9.63
CS2EP15-300		3 in.														20.9	9.5
CS2EP18-307	22218	3-7/16 in.	3-3/4 95.2	13-3/16 335	3-3/8 86	11 279	1-1/16 27	1-5/16 33	2-1/4 57	7-15/32 190	1-13/32 35.81	4-13/32 111.8	4-1/8 104.74	7/8 M22	34.87	15.85	
CS2EP18-308		3-1/2 in.														34.25	15.57



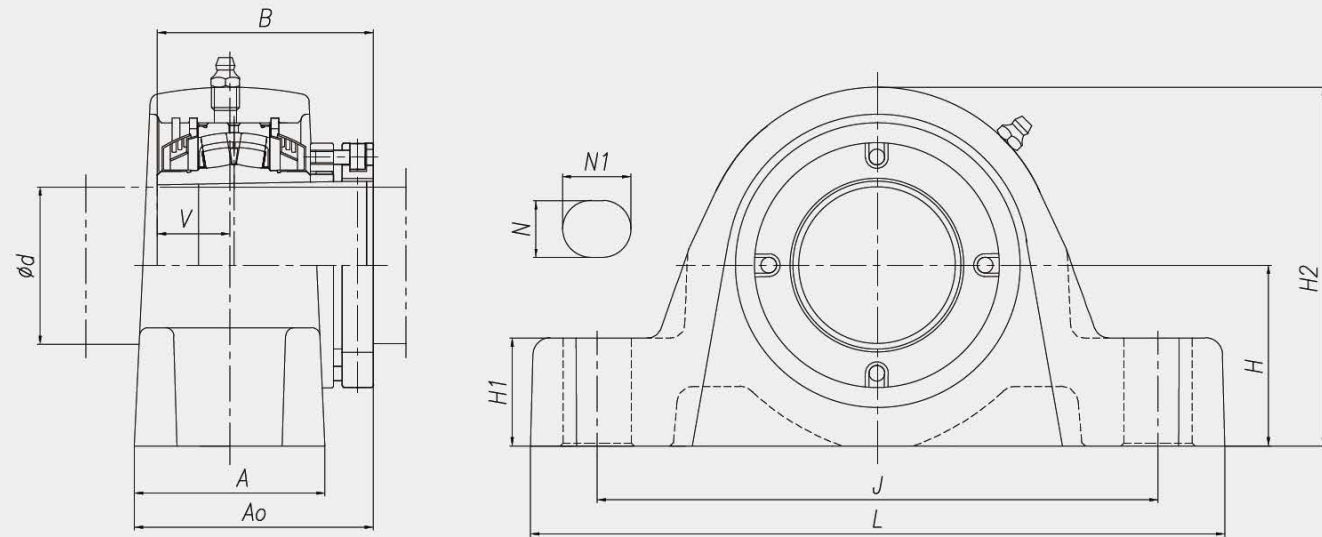


CXC2EP

CROSSLOC™ CXC

CROSSLOC CXC 锁紧系统的球面滚子轴承与2螺栓孔E型立式座的组件。

全衬套长度全圆周抱紧，获得最大保持力



轴承组件型号	轴承型号	轴径 D	H	L	A	J	N	N1	H1	H2	V	A0	B	安装螺栓尺寸	重量	
			in. mm	in. mm	in. mm	in. mm	in. mm	in. mm	in. mm	in. mm	in. mm	in. mm	in. mm	in. mm	in. mm	lbs
CXC2EP08-107	22208	1-7/16 in.	1-7/8 47.6	7-5/16 185	2-1/8 54	5-3/4 146	19/32 15	25/32 20	1-1/8 28	3-27/32 98	7/8 22.35	2-57/64 73.5	2-45/64 68.89	1/2 M12	6.11	2.78
CXC2EP09-111	22209	1-11/16 in.	2-1/8 54	7-13/16 198	2-1/8 54	6-1/4 159	19/32 15	25/32 20	1-1/4 32	4-9/32 109	59/64 23.37	2-29/32 73.7	2-49/64 70.1	1/2 M12	8.03	3.65
CXC2EP10-115	22210	1-15/16 in.	2-1/4 57.2	8-21/32 220	2-1/8 54	7 178	25/32 20	15/16 24	1-5/16 33	4-1/2 114	57/64 22.61	3-1/64 76.5	2-27/32 72.14	5/8 M16	9.28	4.22
CXC2EP11-203	22211	2-3/16 in.	2-1/2 63.5	9-5/8 244	2-5/8 67	7-3/4 197	25/32 20	15/16 24	1-1/2 38	4-31/32 126	1 25.45	3-7/32 81.97	2-29/32 73.9	5/8 M16	12.87	5.85
CXC2EP13-207	22213	2-7/16 in.	2-3/4 69.8	10-5/32 258	2-13/16 72	8-1/2 216	25/32 20	15/16 24	1-5/8 41	5-19/32 142	1-1/8 28.7	3-21/32 92.98	3-3/8 85.68	5/8 M16	17.13	7.79
CXC2EP13-208		2-1/2 in.													17.22	7.83
CXC2EP15-211	22215	2-11/16 in.	3-1/8 79.5	11-21/32 296	3 76	9-1/2 241	15/16 24	1-11/32 34	1-29/32 48	6-1/4 159	1-11/64 29.72	3-51/64 96.41	3-15/32 88.12	3/4 M20	25.76	11.71
CXC2EP15-212		2-3/4 in.													22.57	10.26
CXC2EP15-215		2-15/16 in.													21.42	9.74
CXC2EP15-300		3 in.													21.16	9.62
CXC2EP18-307	22218	3-7/16 in.	3-3/4 95.2	13-3/16 335	3-3/8 86	11 279	1-1/16 27	1-5/16 33	2-1/4 57	7-15/32 190	1-13/32 35.81	4-11/32 110.08	4-1/16 103.02	7/8 M22	35.54	16.16
CXC2EP18-308		3-1/2 in.													35.19	16

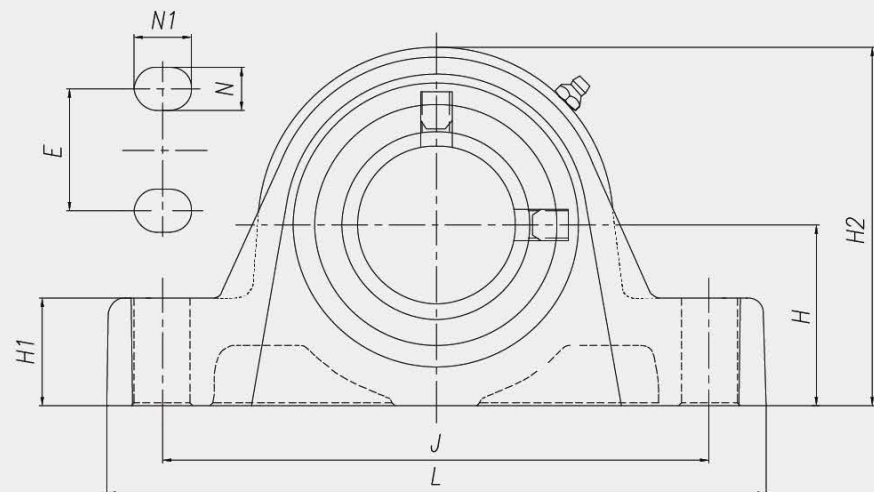
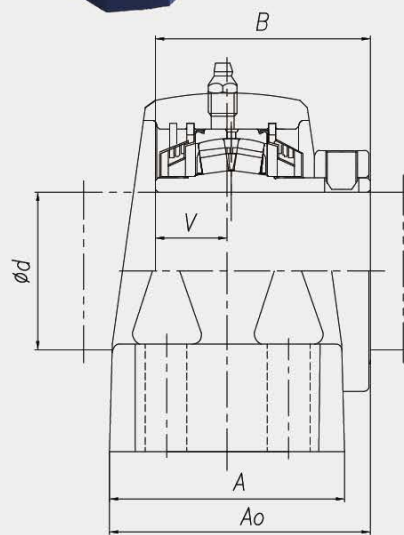




CS4EP

顶丝同心圈锁紧的球面滚子轴承与4螺栓孔E型立式座的组件。

同心圈及相隔90° 经过防松处理的顶丝进行锁紧，可保持最大锁紧力。



轴承组件 型号	轴承 型号	轴径 D	H	L	A	J	N	N1	E	H1	H2	V	A0	B	安装螺 栓尺寸	重量	
			in. mm	in. mm	in. mm	in. mm	in. mm	in. mm	in. mm	in. mm	in. mm	in. mm	in. mm	in. mm		in. mm	lbs
CS4EP13-207	22213	2-7/16 in.	2-3/4 69.8	10-1/2 267	3-1/2 89	8-1/2 216	25/32 20	7/8 22	1-7/8 48	1-5/8 41	5-23/32 145	1-1/8 28.7	4-3/16 106	3-35/64 90.17	5/8 M16	19.13	8.69
CS4EP13-208		2-1/2 in.															18.84
CS4EP15-211	22215	2-11/16 in.	3-1/8 79.5	12 305	4 102	9-1/2 241	25/32 20	1 25	2-1/8 54	1-29/32 48	6-11/32 161	1-11/64 29.72	4-1/2 114	3-21/32 92.71	5/8 M16	26.33	11.97
CS4EP15-212		2-3/4 in.														26.02	11.83
CS4EP15-215		2-15/16 in.														25.21	11.46
CS4EP15-300		3 in.														24.92	11.33
CS4EP18-307	22218	3-7/16 in.	3-3/4 95.2	13-1/2 343	4-1/2 114	11 279	15/16 24	1-3/16 30	2-3/8 60.3	2-1/4 57	7-11/16 195	1-13/32 35.81	4-61/64 125.93	4-1/8 104.74	3/4 M20	41.70	18.96
CS4EP18-308		3-1/2 in.															41.09
CS4EP20-315	22220	3-15/16 in.	4-1/4 108	15-1/4 387	4-1/2 114	12-1/2 317	15/16 24	1-3/16 30	2-1/4 57	2-7/16 62	8-11/16 220	1-19/32 40.39	5-9/32 134.34	4-41/64 117.73	3/4 M20	54.58	24.81
CS4EP20-400		4 in.															54.12
CS4EP22-407	22222	4-7/16 in.	4-3/4 120.7	16-5/8 422	4-3/4 120	13-1/2 343	15/16 24	1-3/16 30	2-1/2 63.5	2-3/4 70	9-21/32 245	1-31/32 50	5-17/32 140.55	5-9/64 130.55	3/4 M20	72.66	33.03



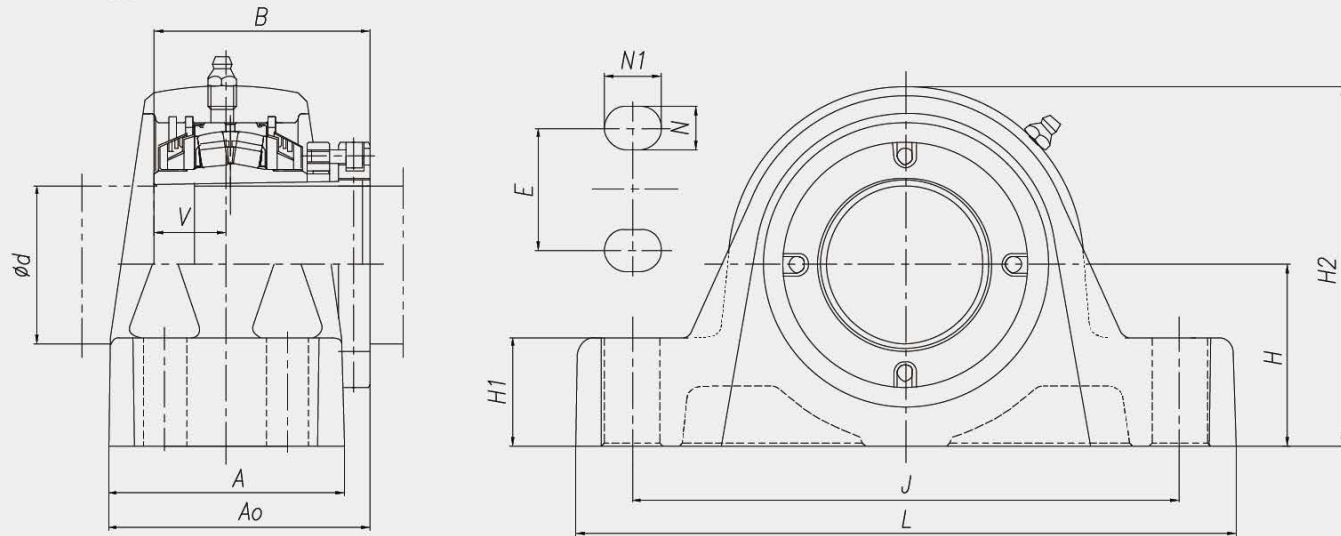


CXC4EP

CROSSLOC™ CXC

CROSSLOC CXC 锁紧系统的球面滚子轴承与4螺栓孔E型立式座的组件。

全衬套长度全圆周抱紧，获得最大保持力



轴承组件型号	轴承型号	轴径 D	H	L	A	J	N	N1	E	H1	H2	V	A0	B	安装螺栓尺寸	重量	
			in. mm	in. mm	in. mm	in. mm	in. mm	in. mm	in. mm	in. mm	in. mm	in. mm	in. mm	in. mm	in. mm	in. mm	lbs
CXC4EP13-207	22213	2-7/16 in.	2-3/4 69.8	10-1/2 267	3-1/2 89	8-1/2 216	25/32 20	7/8 22	1-7/8 48	1-5/8 41	5-23/32 145	1-1/8 28.7	4 101.51	3-35/64 90.17	5/8 M16	19.75	8.97
CXC4EP13-208		2-1/2 in.															19.86
CXC4EP15-211	22215	2-11/16 in.	3-1/8 79.5	12 305	4 102	9-1/2 241	25/32 20	1 25	2-1/8 54	1-29/32 48	6-11/32 161	1-11/64 29.72	4-5/16 109.41	3-21/32 92.71	5/8 M16	26.77	12.17
CXC4EP15-212		2-3/4 in.														26.46	12.03
CXC4EP15-215		2-15/16 in.														25.65	11.66
CXC4EP15-300		3 in.														24.96	11.35
CXC4EP18-307	22218	3-7/16 in.	3-3/4 95.2	13-1/2 343	4-1/2 114	11 279	15/16 24	1-3/16 30	2-3/8 60.3	2-1/4 57	7-11/16 195	1-13/32 35.81	4-5/7/64 124.21	4-1/8 104.74	3/4 M20	43.38	19.72
CXC4EP18-308		3-1/2 in.	45.35	20.60													
CXC4EP20-315	22220	3-15/16 in.	4-1/4 108	15-1/4 387	4-1/2 114	12-1/2 317	15/16 24	1-3/16 30	2-1/4 57	2-7/16 62	8-11/16 220	1-19/32 40.39	5-5/16 134.77	4-41/64 117.73	3/4 M20	55.50	25.23
CXC4EP20-400		4 in.	55.04	25.02													
CXC4EP22-407	22222	4-7/16 in.	4-3/4 120.7	16-5/8 422	4-3/4 120	13-1/2 343	15/16 24	1-3/16 30	2-1/2 63.5	2-3/4 70	9-21/32 245	1-31/32 50	5-5/8 143	5-9/64 130.55	3/4 M20	74.20	33.73
CXC4(E)P26-415	22226	4-15/16 in.	5-1/2 139.7	18-5/8 473	5-3/8 137	15-1/2 398	1-1/32 26	1-17/32 39	2-13/16 71.4	3 76	11 280	2-19/32 58.2	6-3/8 161.7	5-31/32 151.4	7/8 M22	108.5	49.31
CXC4(E)P26-500		5 in.	108.0	49.10													

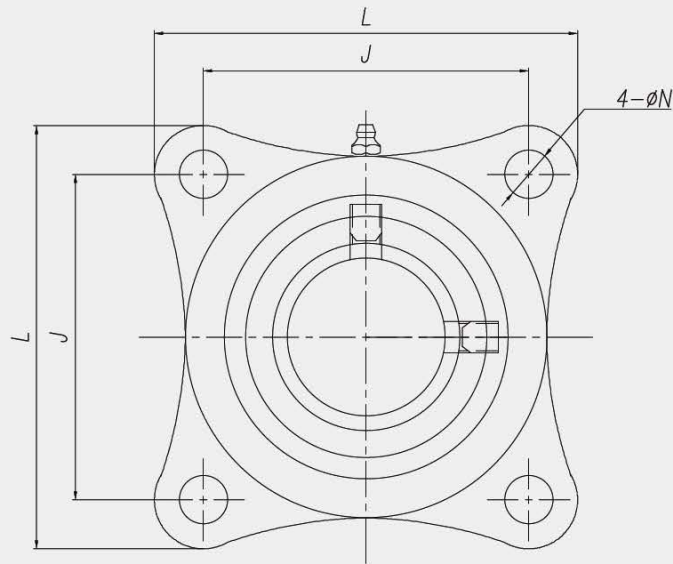
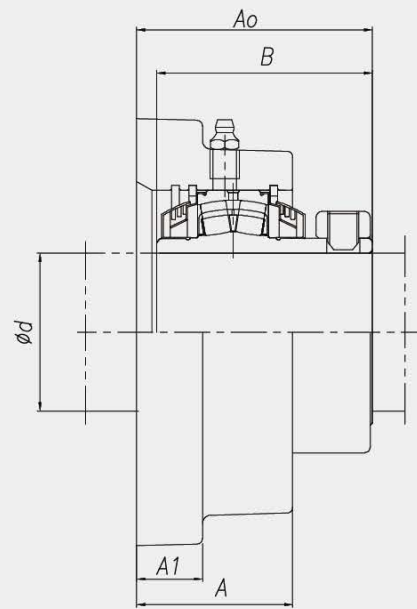


CS4F



顶丝同心圈锁紧的球面滚子轴承与4螺栓孔方形法兰座的组件。

同心圈及相隔90° 经过防松处理的顶丝进行锁紧，可保持最大锁紧力。



轴承组件 型号	轴承 型号	轴径 D	L	A	J	N	A1	A0	B	安装螺 栓尺寸	重量	
			in. mm	in. mm	in. mm	in. mm	in. mm	in. mm	in. mm	in. mm	in. mm	lbs
CS4F08-107	22208	1-7/16 in.	4-25/32 121	1-31/32 50	3-17/32 89.7	9/16 14.5	3/4 19	2-29/32 73.7	2-45/64 68.89	1/2 M12	5.30	2.41
CS4F08-108		1-1/2 in.									5.25	2.39
CS4F08-040		40 mm									5.32	2.42
CS4F09-111	22209	1-11/16 in.	5-1/8 130	2 51	3-57/64 98.8	9/16 14.5	3/4 19	2-15/16 74.7	2-49/64 70.1	1/2 M12	6.09	2.77
CS4F09-112		1-3/4 in.									6.02	2.74
CS4F09-045		45 mm									5.94	2.7
CS4F10-115	22210	1-15/16 in.	5-5/16 135	2-3/32 53	4-1/16 103.2	9/16 14.5	3/4 19	3-7/64 79	2-27/32 72.14	1/2 M12	7.26	3.3
CS4F10-050		50 mm									7.26	3.3
CS4F10-200		2 in.									7.23	3.29
CS4F11-055	22211	55 mm	5-27/32 149	2-5/32 55	4-33/64 114.7	11/16 18	29/32 23	3-17/64 83	3 76	5/8 M16	9.02	4.1
CS4F11-203		2-3/16 in.									8.95	4.07
CS4F11-204		2-1/4 in.									8.8	4
CS4F13-060	22213	60 mm	6-1/8 156	2-9/16 65	4-25/32 121.4	11/16 18	1-1/32 26	3-13/16 97	3-35/64 90.17	5/8 M16	11.66	5.3
CS4F13-207		2-7/16 in.									11.39	5.18
CS4F13-208		2-1/2 in.									11.06	5.03
CS4F13-065		65 mm									11	5
CS4F15-211	22215	2-11/16 in.	7-7/32 183	2-5/8 67	5-9/16 141.3	7/8 22	1-1/32 26	3-15/16 100	3-21/32 92.71	3/4 M20	16.96	7.71
CS4F15-212		2-3/4 in.									17.33	7.88
CS4F15-070		70 mm									16.80	7.64
CS4F15-215		2-15/16 in.									16.34	7.43
CS4F15-075		75 mm									16.28	7.4
CS4F15-300	3 in.	16.06	7.3									
CS4F18-080	22218	80 mm	8-9/32 210	3-5/32 80	6-23/32 170.7	7/8 22	1-5/32 29	4-31/64 114	4-1/8 104.74	3/4 M20	27.5	12.50
CS4F18-085		85 mm									26.62	12.1
CS4F18-307		3-7/16 in.									25.74	11.7
CS4F18-308		3-1/2 in.									25.52	11.6
CS4F18-090		90 mm									24.86	11.3
CS4F20-100	22220	100 mm	9-1/4 235	3-7/16 87	7-39/64 193.3	31/32 25	1-3/16 30	4-15/16 125.3	4-41/64 117.73	7/8 M22	36.52	16.6
CS4F20-315		3-15/16 in.									36.3	16.5
CS4F20-400		4 in.									36.08	16.4



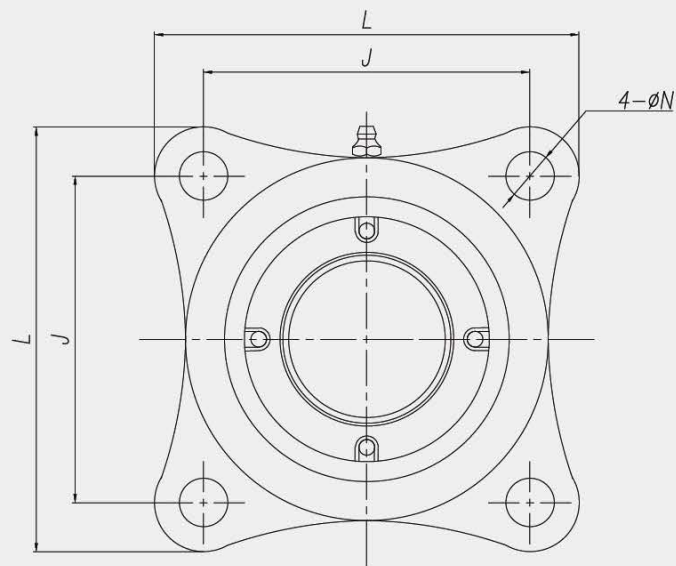
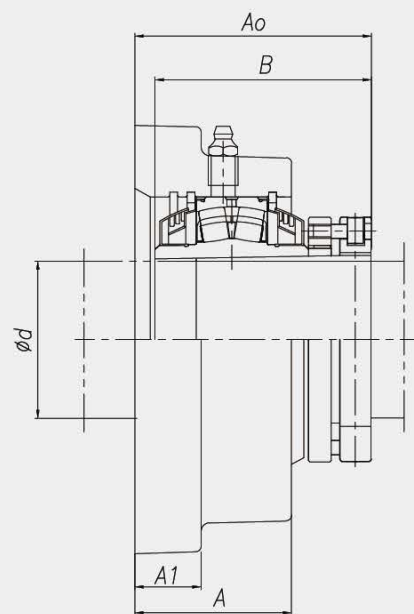


CXC4F

CROSSLOC™ CXC

CROSSLOC CXC 锁紧系统的球面滚子轴承与4螺栓孔方形法兰座的组件。

全衬套长度全圆周抱紧，获得最大保持力



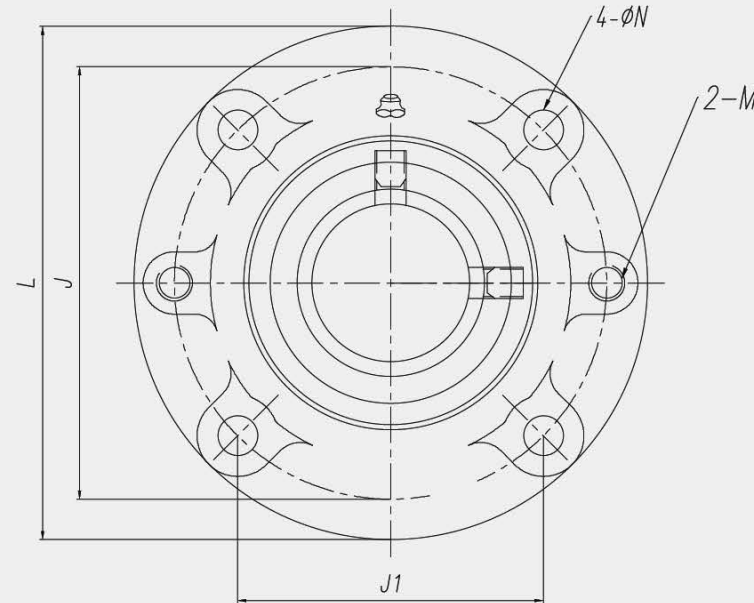
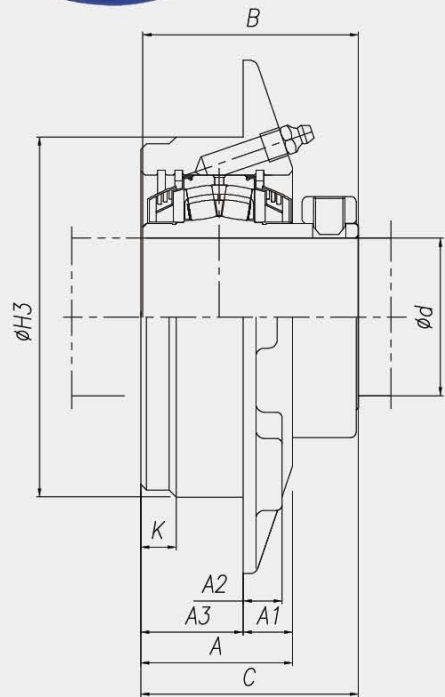
轴承组件 型号	轴承 型号	轴径 D	L	A	J	N	A1	A0	B	安装螺 栓尺寸	重量	
			in. mm	in. mm	in. mm	in. mm	in. mm	in. mm	in. mm	in. mm	lbs	kg
CXC4F08-107	22208	1-7/16 in.	4-25/32 121	1-31/32 50	3-17/32 89.7	9/16 14.5	3/4 19	2-29/32 73.7	2-45/64 68.89	1/2 M12	5.456	2.48
CXC4F08-108		1-1/2 in.									5.41	2.46
CXC4F09-111	22209	1-11/16 in.	5-1/8 130	2 51	3-57/64 98.8	9/16 14.5	3/4 19	2-15/16 74.7	2-49/64 70.1	1/2 M12	6.43	2.92
CXC4F10-115	22210	1-15/16 in.	5-5/16 135	2-3/32 53	4-1/16 103.2	9/16 14.5	3/4 19	3-7/64 79	2-27/32 72.14	1/2 M12	7.63	3.47
CXC4F11-055	22211	55 mm	5-27/32 149	2-5/32 55	4-33/64 114.7	11/16 18	29/32 23	3-3/16 80.87	2-29/32 73.9	5/8 M16	9.34	4.23
CXC4F11-203		2-3/16 in.									9.218	4.19
CXC4F13-060	22213	60 mm	6-1/8 156	2-9/16 65	4-25/32 121.4	11/16 18	1-1/32 26	3-41/64 92.51	3-3/8 85.68	5/8 M16	11.858	5.39
CXC4F13-207		2-7/16 in.									11.68	5.31
CXC4F13-208		2-1/2 in.									11.594	5.27
CXC4F13-065		65 mm									11.308	5.14
CXC4F15-211	22215	2-11/16 in.	7-7/32 183	2-5/8 67	5-9/16 141.3	7/8 22	1-1/32 26	3-3/4 95.41	3-15/32 88.12	3/4 M20	17.84	8.11
CXC4F15-212		2-3/4 in.									17.556	7.98
CXC4F15-070		70 mm									17.028	7.74
CXC4F15-215		2-15/16 in.									16.566	7.53
CXC4F15-075		75 mm									16.5	7.50
CXC4F15-300		3 in.									16.26	7.39
CXC4F18-080		22218									80 mm	8-9/32 210
CXC4F18-085	85 mm		27.39	12.45								
CXC4F18-307	3-7/16 in.		26.95	12.25								
CXC4F18-308	3-1/2 in.		26.07	11.85								
CXC4F18-090	90 mm		25.85	11.75								
CXC4F20-100	100 mm		37.18	16.90								
CXC4F20-315	22220	3-15/16 in.	9-1/4 235	3-7/16 87	7-39/64 193.3	31/32 25	1-3/16 30	4-61/64 125.73	4-21/32 118.16	7/8 M22	37.07	16.85
CXC4F20-400		4 in.	36.85	16.75								



CS4FC

顶丝同心圈锁紧的球面滚子轴承与带导向止口的4孔圆形法兰座的组件。

同心圈及相隔90° 经过防松处理的顶丝进行锁紧，可保持最大锁紧力。



轴承组件 型号	轴承 型号	轴径 D	L	H3	J	J1	N	A	A1	A2	A3	C	K	M	B	安装螺 栓尺寸	重量		
			in. mm	in. mm	in. mm	in. mm	in. mm	in. mm	in. mm	in. mm	in. mm	in. mm	in. mm	in. mm	in. mm	in. mm	in. mm	lbs	kg
CS4FC08-107	22208	1-7/16 in.															4.70	2.14	
CS4FC08-108		1-1/2 in.	5-1/4 133	3-5/8 92.1	4-3/8 111.1	3-3/32 78.6	15/32 12	1-25/32 45.5	19/32 15.5	1/2 13	1-3/16 30	2-23/32 69	13/32 10	3/8-16 UNC	2-45/64 68.89	3/8 M10	4.70	2.14	
CS4FC08-040		40 mm																4.73	2.15
CS4FC09-111	22209	1-11/16 in.															5.85	2.66	
CS4FC09-112		1-3/4 in.	6-5/32 156	4-1/4 107.8	5-1/8 130.2	3-5/8 92.1	9/16 14.5	1-7/8 48	5/8 16	1/2 13	1-1/4 32	2-49/64 70.4	13/32 10	7/16-14 UNC	2-49/64 70.1	1/2 M12	5.61	2.55	
CS4FC09-045		45 mm																5.41	2.46
CS4FC10-115	22210	1-15/16 in.															7.06	3.21	
CS4FC10-050		50 mm	6-3/8 162	4-1/2 114.3	5-3/8 136.5	3-51/64 96.5	9/16 14.5	1-15/16 49	21/32 17	9/16 14	1-1/4 32	2-55/64 72.6	13/32 10	7/16-14 UNC	2-27/32 72.14	1/2 M12	7.04	3.20	
CS4FC10-200		2 in.																6.97	3.17
CS4FC11-055	22211	55 mm															9.35	4.25	
CS4FC11-203		2-3/16 in.	7-1/8 181	5 127	6 152.4	4-1/4 107.8	9/16 14.5	2-3/32 53.5	21/32 17.5	17/32 13.7	1-13/32 36	3-1/32 77	15/32 12	1/2-13 UNC	3 76	1/2 M12	9.30	4.23	
CS4FC11-204		2-1/4 in.																8.93	4.06
CS4FC13-060	22213	60 mm															12.52	5.71	
CS4FC13-207		2-7/16 in.	7-5/8 194	5-1/2 139.7	6-1/2 165.1	4-19/32 116.7	9/16 14.5	2-11/32 59.7	25/32 20	5/8 16	1-9/16 39.7	3-35/64 90.2	15/32 12	1/2-13 UNC	3-35/64 90.17	1/2 M12	12.32	5.60	
CS4FC13-208		2-1/2 in.																11.99	5.45
CS4FC13-065		65 mm																11.90	5.41
CS4FC15-211	22215	2-11/16 in.															18.37	8.35	
CS4FC15-212		2-3/4 in.															18.39	8.36	
CS4FC15-070		70 mm	8-3/4 222	6-3/8 161.9	7-1/2 190.5	5-19/64 134.7	23/32 18	2-5/8 66.7	1 25.4	3/4 19	1-5/8 41.3	3-23/32 94.5	15/32 12	5/8-11 UNC	3-21/32 92.71	5/8 M16	18.89	8.59	
CS4FC15-215		2-15/16 in.																18.30	8.32
CS4FC15-075		75 mm																18.26	8.30
CS4FC15-300		3 in.																17.51	7.96
CS4FC18-080	22218	80 mm															28.24	12.84	
CS4FC18-085		85 mm																27.36	12.44
CS4FC18-307		3-7/16 in.	10-1/4 260	7-3/8 187.3	8-5/8 219.1	6-3/32 154.9	7/8 22	3 75.9	1-15/32 37.4	15/16 24	1-17/32 38.5	4-1/8 105	17/32 13	3/4-10 UNC	4-1/8 104.74	3/4 M20	26.53	12.06	
CS4FC18-308		3-1/2 in.																26.18	11.9
CS4FC18-090		90 mm																25.65	11.66
CS4FC20-100		100 mm																35.70	16.23
CS4FC20-315	22220	3-15/16 in.	10-7/8 276	8-1/8 206.4	9-3/8 238.1	6-5/8 168.4	7/8 22	3-5/32 80.5	1-13/32 36	1-1/8 29	1-3/4 44.5	4-41/64 118	9/16 14	3/4-10 UNC	4-41/64 117.73	3/4 M20	35.68	16.22	
CS4FC20-400		4 in.																35.28	16.04

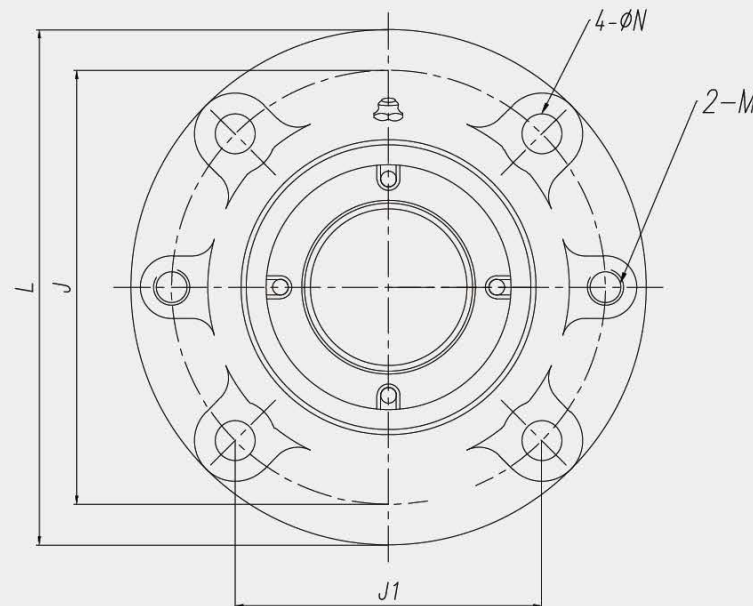
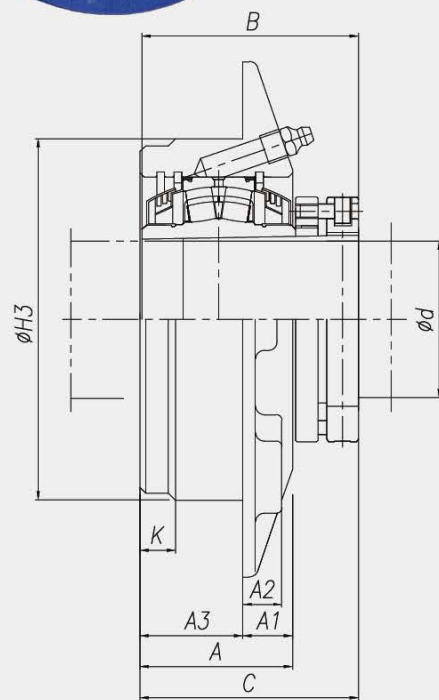


CXC4FC

CROSSLOC™ CXC

CROSSLOC CXC 锁紧系统的球面滚子轴承与带导向止口的4孔圆形法兰座的组件。

全衬套长度全圆周抱紧，获得最大保持力



轴承组件 型号	轴承 型号	轴径 D	L	H3	J	J1	N	A	A1	A2	A3	C	K	M	B	安装螺 栓尺寸	重量	
			in. mm	in. mm	in. mm	in. mm	in. mm	in. mm	in. mm	in. mm	in. mm	in. mm	in. mm	in. mm	in. mm	in. mm	in. mm	lbs
CXC4FC08-107	22208	1-7/16 in.	5-1/4 133	3-5/8 92.1	4-3/8 111.1	3-3/32 78.6	15/32 12	1-25/32 45.5	19/32 15.5	1/2 13	1-3/16 30	2-23/32 69	13/32 10	3/8-16 UNC	2-45/64 68.89	3/8 M10	4.84	2.2
CXC4FC08-108		1-1/2 in.																
CXC4FC09-111	22209	1-11/16 in.	6-5/32 156	4-1/4 107.8	5-1/8 130.2	3-5/8 92.1	9/16 14.5	1-7/8 48	5/8 16	1/2 13	1-1/4 32	2-49/64 70.4	13/32 10	7/16-14 UNC	2-49/64 70.1	1/2 M12	6.11	2.78
CXC4FC10-115	22210	1-15/16 in.	6-3/8 162	4-1/2 114.3	5-3/8 136.5	3-51/64 96.5	9/16 14.5	1-15/16 49	21/32 17	9/16 14	1-1/4 32	2-55/64 72.6	13/32 10	7/16-14 UNC	2-27/32 72.14	1/2 M12	7.38	3.35
CXC4FC11-055	22211	55 mm	7-1/8 181	5 127	6 152.4	4-1/4 107.8	9/16 14.5	2-3/32 53.5	21/32 17.5	17/32 13.7	1-13/32 36	3-15/16 74.87	15/32 12	1/2-13 UNC	2-29/32 73.9	1/2 M12	9.68	4.40
CXC4FC11-203		2-3/16 in.																9.50
CXC4FC13-060	22213	60 mm	7-5/8 194	5-1/2 139.7	6-1/2 165.1	4-19/32 116.7	9/16 14.5	2-11/32 59.7	25/32 20	5/8 16	1-9/16 39.7	3-3/8 85.71	15/32 12	1/2-13 UNC	3-3/8 85.68	1/2 M12	12.78	5.81
CXC4FC13-207		2-7/16 in.															12.63	5.74
CXC4FC13-208		2-1/2 in.															12.54	5.70
CXC4FC13-065		65 mm															12.21	5.55
CXC4FC15-211	22215	2-11/16 in.	8-3/4 222	6-3/8 161.9	7-1/2 190.5	5-19/64 134.7	23/32 18	2-5/8 66.7	1 25.4	3/4 19	1-5/8 41.3	3-17/32 89.91	15/32 12	5/8-11 UNC	3-15/32 88.12	5/8 M16	18.67	8.49
CXC4FC15-212		2-3/4 in.															18.61	8.46
CXC4FC15-070		70 mm															19.11	8.69
CXC4FC15-215		2-15/16 in.															18.52	8.42
CXC4FC15-075		75 mm															18.48	8.40
CXC4FC15-300		3 in.															18.06	8.21
CXC4FC18-080	22218	80 mm	10-1/4 260	7-3/8 187.3	8-5/8 219.1	6-3/32 154.9	7/8 22	3 75.9	1-15/32 37.4	15/16 24	1-17/32 38.5	4-1/16 103.28	17/32 13	3/4-10 UNC	4-1/16 103.02	3/4 M20	28.57	12.99
CXC4FC18-085		85 mm															28.16	12.80
CXC4FC18-307		3-7/16 in.															27.69	12.59
CXC4FC18-308		3-1/2 in.															26.86	12.21
CXC4FC18-090		90 mm															26.51	12.05
CXC4FC20-100	22220	100 mm	10-7/8 276	8-1/8 206.4	9-3/8 238.1	6-5/8 168.4	7/8 22	3-5/32 80.5	1-13/32 36	1-1/8 29	1-3/4 44.5	4-21/32 118.43	9/16 14	3/4-10 UNC	4-21/32 118.16	3/4 M20	37.91	17.23
CXC4FC20-315		3-15/16 in.															36.25	16.48
CXC4FC20-400		4 in.															36.23	16.47

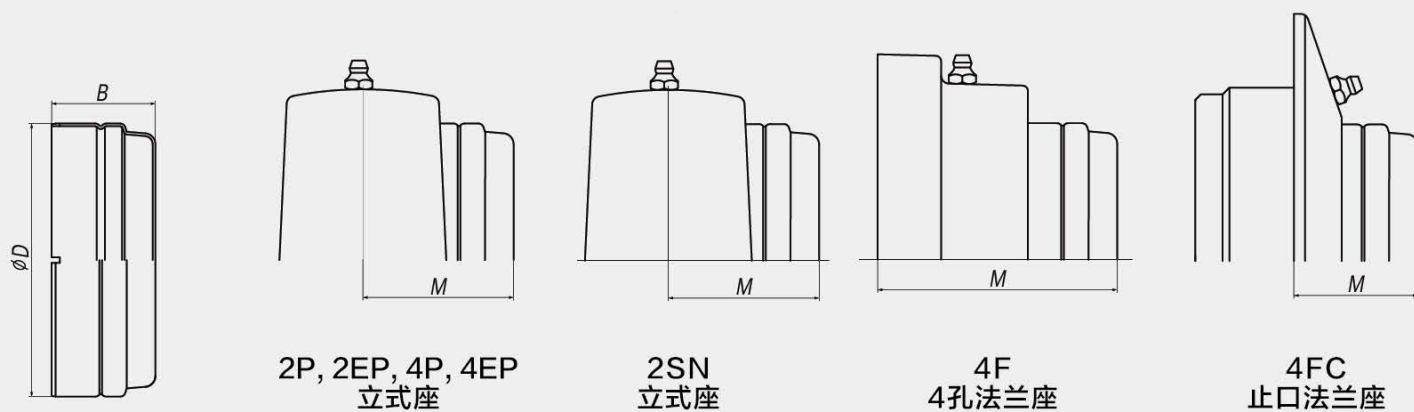


SSD 钢板冲压端盖

保护轴端不受损伤, 提供高速旋转时的安全防护。

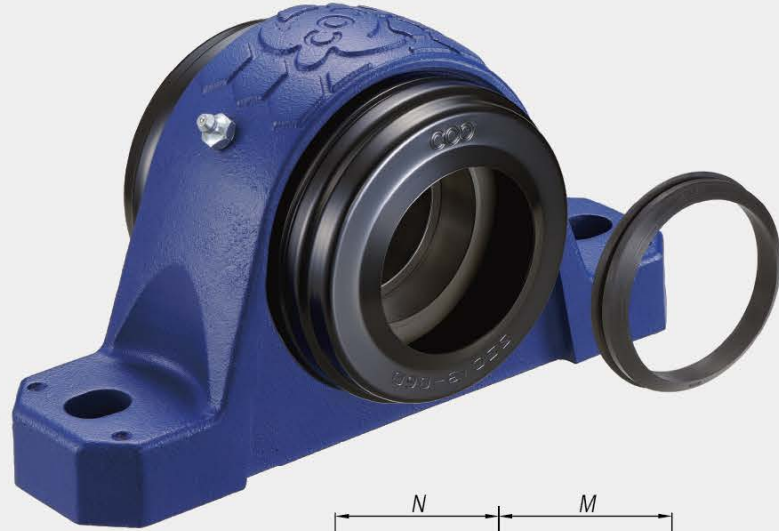


如上面图片的顺序, 用橡胶锤在对向位置轻敲即可安装。

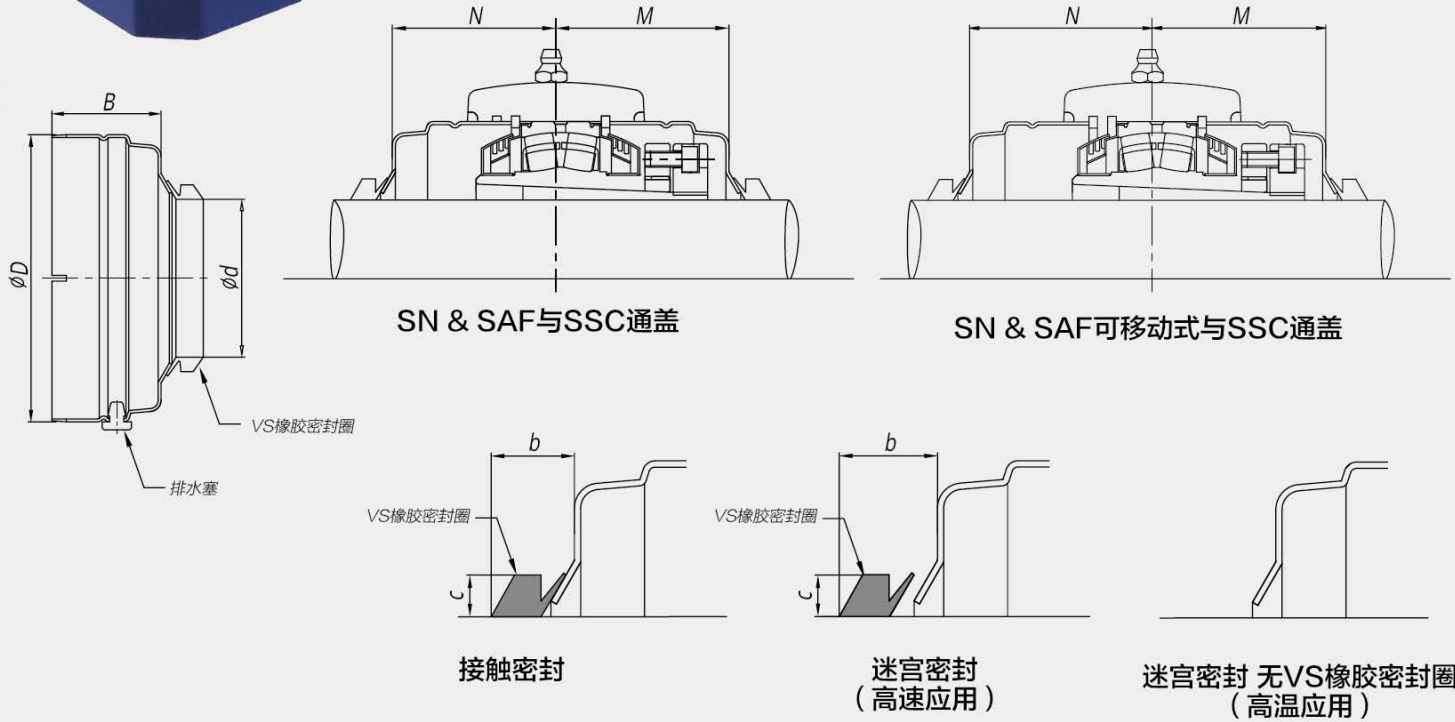


端盖型号	D	B	M			
			2P,2EP,4P,4EP 立式座	SN & SAF 立式座	4F 4孔法兰座	4FC 止口法兰座
			in. mm	in. mm	in. mm	in. mm
SSD08	3-5/32 80	1-13/32 36	2-3/32 53.2	- -	3-5/32 80.4	1-13/16 45.7
SSD09	3-11/32 85	1-3/8 35	2-1/16 52.4	- -	3-5/32 80.3	1-23/32 44
SSD10	3-17/32 90	1-19/32 40	2-9/32 57.7	2-9/32 57.7	3-7/16 87.2	1-29/32 48.8
SSD11	3-15/16 100	1-1/2 38	2-3/16 55	2-3/16 55	3-7/16 87.5	1-25/32 45.5
SSD12	4-11/32 110	1-23/32 44	- -	2-15/32 62.6	- -	- -
SSD13	4-23/32 120	1-31/32 50	2-29/32 73.4	2-13/16 71.6	4-9/32 108.8	2-15/32 62.3
SSD15	5-1/8 130	1-15/16 49	2-27/32 72.4	2-25/32 70.6	4-5/16 109.5	2-15/32 62.7
SSD16	5-1/2 140	2-1/16 52	- -	2-15/16 74.6	- -	- -
SSD17	5-29/32 150	2-1/16 52	- -	3 76.3	- -	- -
SSD18	6-5/16 160	1-31/32 50	3-1/16 78	3 76.3	4-27/32 123	2-31/32 75.6
SSD19	6-11/16 170	2-3/32 53	- -	3-3/16 80.8	- -	- -
SSD20	7-3/32 180	2-3/16 55	3-3/8 86	3-5/16 84.3	5-9/32 134	3-1/4 82.2
SSD22	7-7/8 200	2-3/8 60	3-21/32 92.5	3-21/32 92.5	- -	- -
SSD24	8-15/32 215	2-17/32 64	- -	3-15/16 100	- -	- -
SSD26	9-1/16 230	2-19/32 66	- -	4-1/8 105	- -	- -
SSD28	9-27/32 250	2-3/4 70	- -	4-3/8 111.2	- -	- -
SSD30	10-5/8 270	2-3/4 70	- -	4-9/16 115.7	- -	- -
SSD32	11-13/32 290	2-7/8 73	- -	4-13/16 122.2	- -	- -

SSC 钢板通盖 (SN&SAF组件用)



请参考第45页的使用说明。



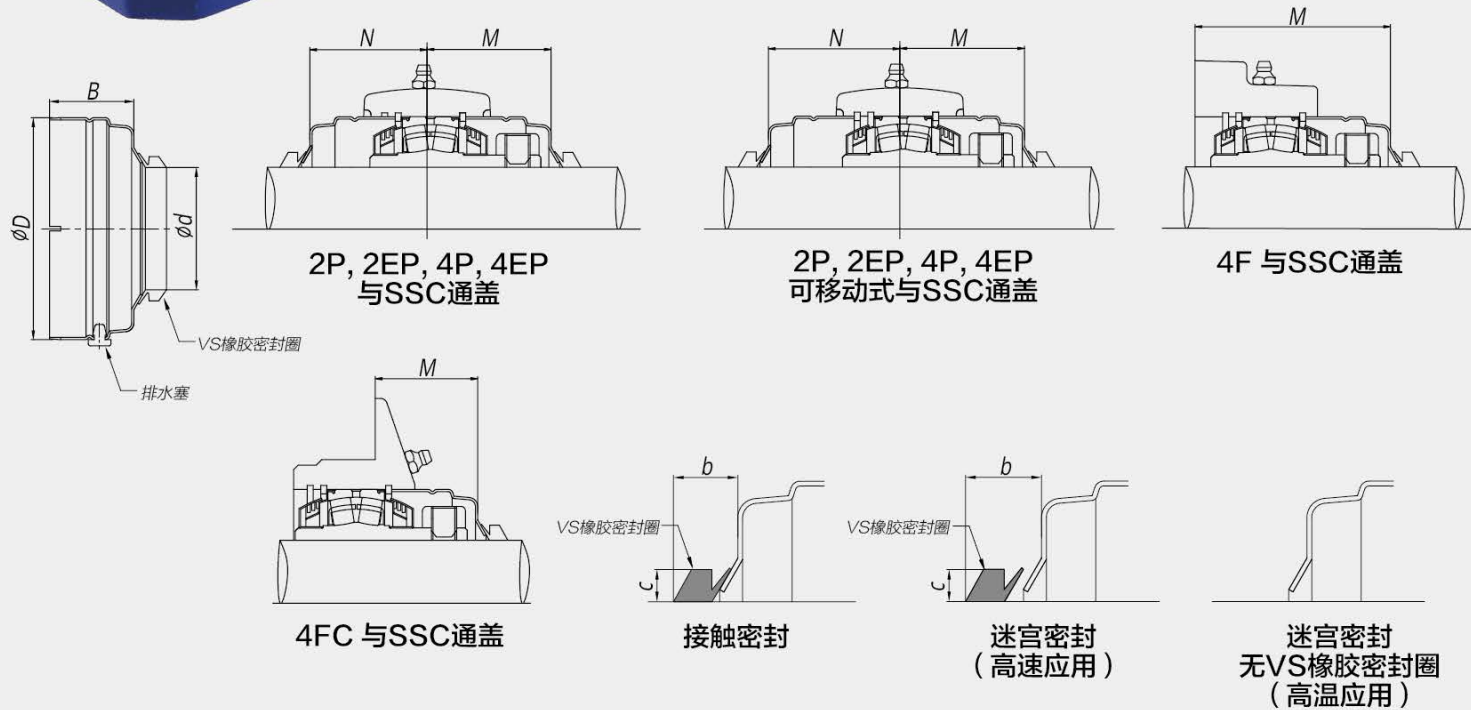
端盖型号	VS 橡胶密封圈	轴径 d	D	B	M			N			VS 橡胶密封圈		
					SN & SAF 立式座	SN & SAF 固定	SN & SAF 可移动 (E)	b	b (L)	c			
					in. mm	in. mm	in. mm	in. mm	in. mm	in. mm			
SSC10-045	VS-045	1-3/4 in.	3-17/32 90	1-19/32 40	2-9/32 57.7	2-3/64 52	2-1/4 57	31/64 12.5	9/16 14.5	13/64 5			
		45 mm											
SSC11-050	VS-050	1-15/16 in.	3-15/16 100	1-1/2 38	2-3/16 55	2-1/16 52.2	2-19/64 58.2						
		50 mm											
		2 in.											
SSC12-055	VS-055	55 mm	4-11/32 110	1-23/32 44	2-15/32 62.6	2-11/32 59.7	2-5/8 65.7						
SSC13-060	VS-060	2-3/16 in.	4-23/32 120	1-31/32 50	2-13/16 71.6	2-5/8 66.6	2-55/64 72.6						
		60 mm											
SSC15-065	VS-065	2-7/16 in.	5-1/8 130	1-15/16 49	2-25/32 70.6	2-37/64 65.6	2-13/16 71.6						
		65 mm											
SSC16-070	VS-070	2-11/16 in.	5-1/2 140	2-1/16 52	2-15/16 74.6	2-47/64 69.6	2-63/64 75.6						
		70 mm											
SSC17-075	VS-075	75 mm	5-29/32 150	2-1/16 52	3 76.3	2-51/64 71.1	3-1/32 77.1						
SSC18-080	VS-080	80 mm	6-5/16 160	1-31/32 50	3 76.3	2-13/16 71.5	3-3/64 77.5						
SSC19-085	VS-085	85 mm	6-11/16 170	2-3/32 53	3-3/16 80.8	2-63/64 76	3-15/64 82						
SSC20-090	VS-090	3-7/16 in.	7-3/32 180	2-3/16 55	3-5/16 84.3	3-1/8 79.5	3-23/64 85.5						
		90 mm											
SSC22-100	VS-100	100 mm	7-7/8 200	2-3/8 60	3-21/32 92.5	3-1/2 88.7	3-23/32 94.7						
		3-15/16 in.											
SSC24-110	VS-110	110 mm	8-15/32 215	2-17/32 64	3-15/16 100	3-25/32 96.2	4-1/16 103.2						
SSC26-115	VS-110	4-7/16 in.	9-1/16 230	2-19/32 66	4-1/8 105	3-63/64 101.2	4-17/64 108.2						
		115 mm											
SSC28-125	VS-130	125 mm	9-27/32 250	2-3/4 70	4-3/8 111.2	4-7/32 107.2	4-1/2 114.2						
		4-15/16 in.											
SSC30-135	VS-140	135 mm	10-5/8 270	2-3/4 70	4-9/16 115.7	4-15/64 107.7	4-19/32 116.7						
SSC32-140	VS-140	5-7/16 in.	11-13/32 290	2-7/8 73	4-13/16 122.2	4-1/2 114.2	4-27/32 123.2						
		5-1/2 in.											
		140 mm											



SSC 钢板通盖 (CS&CXC组件用)



1. 确保轴不潮湿, 并且没有润滑脂或油附着。
2. 在VS橡胶密封圈的唇部涂上少量的润滑脂或硅油。
3. 手动施加压力, 沿着轴将VS橡胶密封圈滑动并旋转, 确保均匀接触。
4. 根据"b"尺寸, 调整VS橡胶密封圈的唇部与通盖之间的距离。
5. 在非接触密封的使用条件下, 请取下排水塞以排放进入的水。



端盖型号	VS 橡胶密封圈	轴径 d	D	B	M			N		VS 橡胶密封圈			
					2P,2EP, 4P,4EP 立式座	4F 4孔法兰座	4FC 止口法兰座	2P,2EP, 4P,4EP 固定	2P,2EP, 4P,4EP 可移动 (E)	b	b (L)	c	
			in. mm	in. mm	in. mm	in. mm	in. mm	in. mm	in. mm	in. mm	in. mm	in. mm	
SSC08-038	VS-038	1-7/16 in.									27/64 10.6	29/64 11.6	5/32 4
SSC08-040	VS-040	1-1/2 in. 40 mm	3-5/32 80	1-13/32 36	2-3/32 53.2	3-5/32 80.4	1-13/16 45.7	1-57/64 48	2-3/32 53				
SSC09-045	VS-045	1-11/16 in. 1-3/4 in. 45 mm	3-11/32 85	1-3/8 35	2-1/16 52.4	3-5/32 80.3	1-23/32 44	1-27/32 46.8	2-1/32 51.8				
SSC10-050	VS-050	1-15/16 in. 50 mm 2 in.	3-17/32 90	1-19/32 40	2-9/32 57.7	3-7/16 87.2	1-29/32 48.8	2-1/32 51.5	2-7/32 56.5	31/64 12.5	9/16 14.5	13/64 5	
SSC11-055	VS-055	55 mm 2-3/16 in. 2-1/4 in.	3-15/16 100	1-1/2 38	2-3/16 55	3-7/16 87.5	1-25/32 45.5	2-1/16 52.2	2-19/64 58.2				
SSC13-060	VS-060	60 mm 2-7/16 in.	4-23/32 120	1-31/32 50	2-29/32 73.4	4-9/32 108.8	2-15/32 62.3	2-9/16 65	2-51/64 71				
SSC13-065	VS-065	2-1/2 in. 65 mm											
SSC15-070	VS-070	2-11/16 in. 2-3/4 in. 70 mm											
SSC15-075	VS-075	2-15/16 in. 75 mm 3 in.	5-1/8 130	1-15/16 49	2-27/32 72.4	4-5/16 109.5	2-15/32 62.7	2-33/64 63.8	2-3/4 69.8				
SSC18-080	VS-080	80 mm											
SSC18-085	VS-085	85 mm 3-7/16 in.	6-5/16 160	1-31/32 50	3-1/16 78	4-27/32 123	2-31/32 75.6	2-3/4 69.8	2-63/64 75.8	39/64 15.5	11/16 17.5	15/64 6	
SSC18-090	VS-090	3-1/2 in. 90 mm											
SSC20-100	VS-100	100 mm 3-15/16 in. 4 in.	7-3/32 180	2-3/16 55	3-3/8 86	5-9/32 134	3-1/4 82.2	3-1/16 77.8	3-19/64 83.8				
SSC22-110	VS-110	4-7/16 in.	7-7/8 200	2-3/8 60	3-21/32 92.5	-	-	3-1/2 88.7	3-23/32 94.7	11/16 17.5	49/64 19.5	9/32 7	



CROSSLOC™安装方法

- 1: 全部螺钉保持相对松动状态。
- 2: 如右侧图片示意，按数字顺序，对向依次紧固螺钉，重复数次到紧固状态。
- 3: 如果使用扭矩扳手，请参考下方的扭矩表数值。

注：外侧的螺母须与内侧的螺母平行移动。因此，需要对向拧紧螺钉，并重复此步骤，直到所有的螺钉完全拧紧。非然，可能会导致螺钉变形和损坏。这类似于更汽车换轮毂的一般步骤。

CROSSLOC™拆卸方法

- 1: 松开所有的螺钉到自由状态。
- 2: 对向逆时针方向旋转螺钉，重复数次到拆卸下来。

注：拆卸CROSSLOC™时，需要先松开螺钉，然后逆时针旋转。虽然两者都是向左旋转，但逆时针旋转与松开不同。首先，请松开所有的螺钉。然后通过向内推动（CX）或向外拉动（CXC）外侧螺母来将套筒从内环中释放。按逆时针方向对角线旋转螺钉，直到卸下为止。与锁定时相同，外侧的螺母必须平行移动。

CROSSLOC™ 圆柱头螺钉紧固力矩表

CROSSLOC™ CX					CROSSLOC™ CXC				
轴径	轴承型号	螺钉规格	力矩	螺钉数量	轴径	轴承型号	螺钉规格	力矩	螺钉数量
1-15/16 - 2-7/16 in. 50 - 65 mm	22211-22215 CX	M5×12	59.1 in-lbs 6.7 Nm	4	1-7/16 - 3 in. 40 - 75 mm	22208-22215 CXC	M5×12	35.3 in-lbs 4 Nm	4
2-11/16, 2-15/16 in. 70 - 85 mm	22216-22219 CX	M6×14	83.5 in-lbs 9.5 Nm	4	3-1/4, 3-1/2 in. 80 - 90 mm	22218 CXC	M6×14	44.0 in-lbs 5 Nm	4
3-7/16 - 4-7/16 in. 90 - 115 mm	22220-22226 CX	M8×16	160.5 in-lbs 18.2 Nm	4	3-15/16 - 4-7/16 in. 100 - 110 mm	22220-22222 CXC	M8×16	88.2 in-lbs 10 Nm	4
4-15/16 - 5-1/2 in. 125 - 140 mm	22228-22232 CX	M8×16	160.5 in-lbs 18.2 Nm	6					

推荐轴配合公差

轴径	使用顶丝同心圈样式轴承时	使用 CROSSLOC™ 样式轴承时
1-7/16 - 2 in. 40 - 55 mm	-0.0015 in. -0.038 mm	-0.003 in. -0.076 mm
2-3/16 - 4 in. 60 - 100 mm	-0.002 in. -0.051 mm	-0.004 in. -0.102 mm
4-7/16 - 5-1/2 in. 110 - 140 mm	-0.003 in. -0.076 mm	-0.005 in. -0.127 mm

CS 顶丝力矩表

轴径	轴承型号	顶丝	力矩
1-7/16 - 2 in. 40 - 50 mm	22208-22210 CS	3/8 -24UNF M8×1.25	197 in-lbs 22.3 Nm
2-3/16, 2-1/4 in. 55 mm	22211 CS	7/16 -20UNF M10×1.25	269 in-lbs 30.5 Nm
2-7/16 - 3-1/2 in. 60 - 90 mm	22213-22218 CS	1/2 -20UNF M12×1.75	440 in-lbs 49.8 Nm
3-15/16 - 4-7/16 in. 100 - 110 mm	22220-22222 CS	5/8 -18UNF M16×2	920 in-lbs 102.8 Nm

安装螺栓力矩表

螺栓规格	力矩
3/8 in. / M10	168 in-lbs / 19 Nm
1/2 in. / M12	292 in-lbs / 33 Nm
5/8 in. / M16	735 in-lbs / 83 Nm
3/4 in. / M20	1460 in-lbs / 165 Nm
7/8 in. / M22	2018 in-lbs / 228 Nm
1 in. / M24	2398 in-lbs / 271 Nm
1-1/8 in. / M30	5036 in-lbs / 569 Nm
1-1/4 in. / M32	5495 in-lbs / 621 Nm

极限转速 (rpm)

轴承型号	接触密封	迷宫密封
22208	4200	6000
22209	3600	5400
22210	3600	5400
22211	3000	5400
22212	3000	4800
22213	2500	3600
22215	2500	3600
22216	2000	3000
22217	2000	3000
22218	2000	3000
22219	2000	3000
22220	1500	2500
22222	1500	2500
22224	1000	2000
22226	1000	2000
22228	1000	2000
22230	1000	2000
22232	750	1500



推荐润滑表

轴承型号	润滑脂加入量 g/oz	推荐加油间隔 (基于下面的运转速度 (rpm) 并连续运转)					
		10 个月	8 个月	6 个月	4 个月	2 个月	1 个月
22208	8.4 / 0.3	400	620	950	1460	2250	3470
22209	9.3 / 0.3	360	560	850	1340	2050	3120
22210	10.8 / 0.4	320	510	770	1240	1860	2810
22211	14.8 / 0.5	290	460	690	1140	1700	2530
22212	19.8 / 0.7	260	420	620	1050	1540	2270
22213	26.2 / 0.9	240	380	560	960	1400	2050
22215	32 / 1.1	210	350	500	890	1280	1840
22216	40.1 / 1.4	190	320	450	820	1160	1660
22217	52.9 / 1.9	170	290	410	750	1060	1490
22218	62 / 2.2	160	260	370	690	960	1340
22219	75.4 / 2.7	140	240	330	640	880	1210
22220	88.7 / 3.1	130	220	300	580	800	1090
22222	124.5 / 4.4	110	200	270	540	730	980
22224	152.1 / 5.4	100	180	240	500	660	880
22226	181.9 / 6.4	90	160	220	460	600	790
22228	244.4 / 8.6	80	150	200	420	550	710
22230	300.3 / 10.6	70	140	180	390	500	640
22232	372.9 / 13.2	70	120	160	350	450	580

注油嘴	轴承座型号				
A-1/4-28UNF	2P08 - 2P10	2EP08 - 2EP10	4F08 - 4F10	4FC08 - 4FC15	
A-NPT 1/8	2P11 - 2P20	2EP11 - 2EP18	4P13 - 4P22	4EP13 - 4EP22	
	4F11 - 4F20	4FC18 - 4FC20	2SN	2SAF	4SAF



球面滚子轴承寿命计算

球面滚子轴承的基本额定动负荷, 当量动负荷和基本额定寿命的关系, 可以用下面公式表示:

$$L_{10} = \left(\frac{C_r}{P_r} \right)^{\frac{10}{3}}$$

$$L_{10h} = \frac{10^6 L_{10}}{60n} = \frac{10^6}{60n} \left(\frac{C_r}{P_r} \right)^{\frac{10}{3}}$$

$$\frac{C_r}{P_r} = \left(\frac{60n L_{10}}{10^6} \right)^{\frac{3}{10}}$$

公式中的符号意义:

L_{10} : 基本额定寿命 (10⁶ 转)

L_{10h} : 基本额定寿命 (小时)

C_r : 基本额定动负荷 (lbs 或 N)

P_r : 当量动负荷 (lbs 或 N)

n : 转速 (min⁻¹)

$\left(\frac{C_r}{P_r}\right)$ 与基本额定寿命 (L_{10h}) 和转速 (n) 之间的关系

轴承寿命 小时 (L_{10h})	转 速 (rpm)										
	50	100	150	300	500	750	1000	1500	2000	2500	3000
2500	1.83	2.25	2.54	3.13	3.65	4.12	4.50	5.08	5.54	5.92	6.25
5000	2.25	2.77	3.13	3.86	4.50	5.08	5.54	6.25	6.81	7.29	7.70
7500	2.54	3.13	3.54	4.36	5.08	5.73	6.25	7.06	7.70	8.23	8.69
10000	2.77	3.42	3.86	4.75	5.54	6.25	6.81	7.70	8.39	8.97	9.48
15000	3.13	3.86	4.36	5.36	6.25	7.06	7.70	8.69	9.48	10.13	10.70
20000	3.42	4.20	4.75	5.85	6.81	7.70	8.39	9.48	10.33	11.04	11.67
30000	3.86	4.75	5.36	6.60	7.70	8.69	9.48	10.70	11.67	12.47	13.17
40000	4.20	5.18	5.85	7.20	8.39	9.48	10.33	11.67	12.72	13.60	14.36
50000	4.50	5.54	6.25	7.70	8.97	10.13	11.04	12.47	13.60	14.54	15.36
60000	4.75	5.85	6.60	8.13	9.48	10.70	11.67	13.17	14.36	15.36	16.22
70000	4.97	6.12	6.92	8.51	9.92	11.21	12.22	13.80	15.04	16.08	16.99
80000	5.18	6.37	7.20	8.86	10.33	11.67	12.72	14.36	15.66	16.74	17.68
100000	5.54	6.81	7.70	9.48	11.04	12.47	13.60	15.36	16.74	17.90	18.91
150000	6.25	7.70	8.69	10.70	12.47	14.09	15.36	17.34	18.91	20.21	21.35

当量动负荷

轴承大多承受径向负荷与轴向负荷的合成负荷，而且负荷条件多种多样，如振动，冲击等，大小也会发生变化。因此，不可能将轴承的实际负荷直接与基本额定动负荷进行比较。于是，则采用将实际负荷换算成通过轴承中心且大小和方向一定的假想负荷来进行分析比较。这个假想负荷称做当量动负荷 (Pr)。

当量动负荷的计算

承受径向负荷和轴向负荷的轴承的当量径向动负荷 (Pr) 按下面公式计算。其振动系数和冲击条件系数在接下来的表中选取。

$$Pr = XFr + YFa$$

上式中，
Pr: 径向当量动负荷, N
Fr: 径向负荷, N
Fa: 轴向负荷, N
X: 径向负荷系数 (见表1.1)
Y: 轴向负荷系数 (见表1.1)

表1.1

轴承 基本型号	基本额定动负荷 Cr		基本额定径负荷 Cor		e	Fa/Fr < e		Fa/Fr > e		
	lbs	kN	lbs	kN		X	Y	X	Y	
22208	20408	90.7	21623	96.1	0.28	1	0.67		3.59	
22209	21150	94	23625	105	0.26			2.41	2.57	3.82
22210	22095	98.2	25313	112.5	0.24			2.77	4.12	
22211	27450	122	32625	145	0.24			2.93	4.21	
22212	34200	152	39375	175	0.25			2.71	4.03	
22213	40050	178	47700	212	0.25			2.71	4.03	
22215	42075	187	51300	228	0.22			3	4.47	
22216	50175	223	60525	269	0.22			3	4.47	
22217	59175	263	71325	317	0.24			2.86	4.25	
22218	67950	302	83925	373	0.24			2.86	4.25	
22219	74025	329	92700	412	0.24			2.86	4.25	
22220	83475	371	105975	471	0.24			2.78	4.14	
22222	136350	606	164475	731	0.23			2.7	4.17	
22224	153000	680	193275	859	0.25			2.92	4.15	
22226	182250	810	260550	1158	0.25			2.88	4.08	
22228	204975	911	279675	1243	0.27			2.76	4.11	
22230	241425	1073	312075	1387	0.27	2.74	4.15			
22232	270000	1200	393300	1748	0.24	2.86	4.21			

e是轴向负荷对径向负荷的系数。

负荷系数

作用于轴承的径向负荷或轴向负荷虽然可以按照一般的力学方法计算，但由于机械振动或冲击等原因，作用于轴承的实际负荷往往比计算值大。

因此，计算时一般将理论计算值再乘以一个与机械振动或冲击有关的负荷系数，如下式所示。

$$F = f_w \cdot F_c$$

上式中，

F: 作用于轴承的实际负荷, N

F_c: 理论负荷, N

f_w: 负荷系数 (见表1.2)

表1.2 负荷系数 f_w

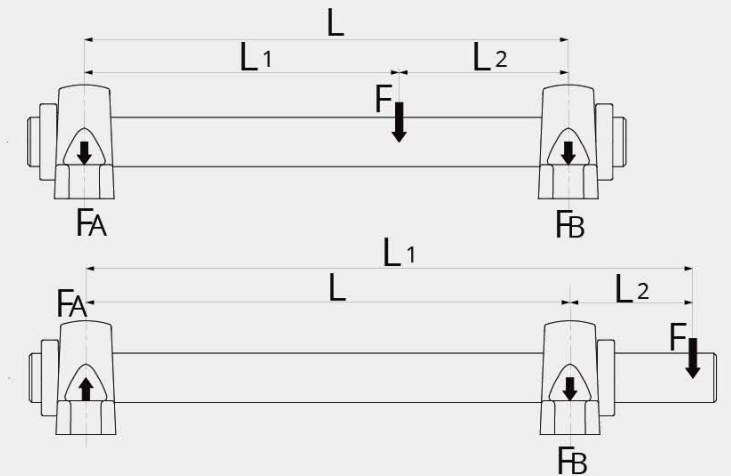
使用条件	用途例	f _w
几乎无振动或冲击	电子机械，仪表类等	1-1.2
一般运转 (有轻微冲击)	农业机械，鼓风机等	1.2-2
有强烈振动或冲击	建设机械，粉碎机	2-3

轴承负荷的分配

作用于轴上的径向负荷的分配计算按下面图示及公式：

$$F_A = \frac{L_2}{L} \cdot F$$

$$F_B = \frac{L_1}{L} \cdot F$$





轴承选择表

各种寿命和转速条件下的轴承负荷(kN)

型号	L10 寿命 (Hr)	额定负荷 (kN) 和旋转速度 (RPM)															
		50	100	150	300	500	750	1000	1500	2000	2500	3000	3600	4200	4800	5400	6000
22208	10000	32.69	26.56	23.51	19.1	16.39	14.51	13.31	11.79	10.81	10.11	9.57	9.06	8.65	8.31	8.02	7.78
	25000	24.84	20.17	17.86	14.51	12.45	11.02	10.11	8.95	8.21	7.68	7.27	6.88	6.57	6.32	6.1	5.91
	50000	20.17	16.39	14.51	11.79	10.11	8.95	8.21	7.27	6.67	6.24	5.91	5.59	5.34	5.13	4.95	4.8
	70000	18.24	14.81	13.12	10.65	9.14	8.09	7.42	6.57	6.03	5.64	5.34	5.06	4.83	4.64	4.48	4.34
22209	10000	33.88	27.52	24.37	19.79	16.98	15.04	13.79	12.21	11.2	10.48	9.92	9.39	8.97	8.62	8.32	
	25000	25.74	20.91	18.51	15.04	12.9	11.42	10.48	9.28	8.51	7.96	7.54	7.14	6.81	6.55	6.32	
	50000	20.91	16.98	15.04	12.21	10.48	9.28	8.51	7.54	6.91	6.47	6.12	5.8	5.53	5.32	5.13	
	70000	18.9	15.35	13.59	11.04	9.47	8.39	7.69	6.81	6.25	5.84	5.53	5.24	5	4.81	4.64	
22210	10000	35.4	28.75	25.46	20.68	17.74	15.71	14.41	12.76	11.7	10.95	10.36	9.81	9.37	9	8.69	
	25000	26.89	21.84	19.34	15.71	13.48	11.93	10.95	9.69	8.89	8.32	7.87	7.45	7.12	6.84	6.6	
	50000	21.84	17.74	15.71	12.76	10.95	9.69	8.89	7.87	7.22	6.75	6.39	6.05	5.78	5.55	5.36	
	70000	19.74	16.04	14.2	11.53	9.9	8.76	8.04	7.12	6.53	6.11	5.78	5.47	5.23	5.02	4.85	
22211	10000	43.98	35.72	31.63	25.69	22.04	19.52	17.9	15.85	14.54	13.6	12.88	12.19	11.64	11.18	10.79	
	25000	33.41	27.14	24.03	19.52	16.74	14.83	13.6	12.04	11.05	10.33	9.78	9.26	8.84	8.49	8.2	
	50000	27.14	22.04	19.52	15.85	13.6	12.04	11.05	9.78	8.97	8.39	7.94	7.52	7.18	6.9	6.66	
	70000	24.53	19.92	17.64	14.33	12.29	10.89	9.99	8.84	8.11	7.59	7.18	6.8	6.49	6.24	6.02	
22212	10000	54.79	44.5	39.41	32.01	27.46	24.32	22.3	19.75	18.12	16.94	16.04	15.19	14.5	13.93		
	25000	41.62	33.81	29.94	24.32	20.86	18.47	16.94	15	13.76	12.87	12.19	11.54	11.02	10.58		
	50000	33.81	27.46	24.32	19.75	16.94	15	13.76	12.19	11.18	10.46	9.9	9.37	8.95	8.6		
	70000	30.56	24.82	21.98	17.85	15.32	13.56	12.44	11.02	10.11	9.45	8.95	8.47	8.09	7.77		
22213	10000	64.16	52.12	46.15	37.48	32.16	28.47	26.12	23.13	21.22	19.84	18.79	17.79				
	25000	48.74	39.59	35.06	28.47	24.43	21.63	19.84	17.57	16.12	15.07	14.27	13.51				
	50000	39.59	32.16	28.47	23.13	19.84	17.57	16.12	14.27	13.09	12.24	11.59	10.97				
	70000	35.79	29.07	25.74	20.91	17.94	15.88	14.57	12.9	11.83	11.07	10.48	9.92				
22215	10000	67.41	54.75	48.48	39.38	33.78	29.91	27.44	24.3	22.29	20.85	19.74	18.69				
	25000	51.21	41.59	36.83	29.91	25.66	22.72	20.85	18.46	16.93	15.84	14.99	14.19				
	50000	41.59	33.78	29.91	24.3	20.85	18.46	16.93	14.99	13.75	12.86	12.18	11.53				
	70000	37.6	30.54	27.04	21.96	18.84	16.69	15.31	13.55	12.43	11.63	11.01	10.42				
22216	10000	80.38	65.29	57.81	46.96	40.29	35.67	32.72	28.98	26.58	24.86	23.54					
	25000	61.06	49.6	43.92	35.67	30.6	27.1	24.86	22.01	20.19	18.88	17.88					
	50000	49.6	40.29	35.67	28.98	24.86	22.01	20.19	17.88	16.4	15.34	14.52					
	70000	44.84	36.42	32.25	26.19	22.47	19.9	18.25	16.16	14.83	13.87	13.13					
22217	10000	94.8	77	68.18	55.38	47.51	42.07	38.59	34.17	31.35	29.32	27.76					
	25000	72.02	58.5	51.8	42.07	36.09	31.96	29.32	25.96	23.81	22.27	21.09					
	50000	58.5	47.51	42.07	34.17	29.32	25.96	23.81	21.09	19.34	18.09	17.13					
	70000	52.88	42.95	38.03	30.89	26.5	23.47	21.53	19.06	17.49	16.35	15.48					
22218	10000	108.86	88.42	78.3	63.6	54.56	48.31	44.32	39.24	36	33.67	31.87					
	25000	82.7	67.17	59.48	48.31	41.45	36.7	33.67	29.81	27.34	25.57	24.21					
	50000	67.17	54.56	48.31	39.24	33.67	29.81	27.34	24.21	22.21	20.77	19.67					
	70000	60.72	49.32	43.67	35.47	30.43	26.95	24.72	21.89	20.08	18.78	17.78					
22219	10000	118.59	96.33	85.29	69.28	59.44	52.63	48.28	42.75	39.21	36.67	34.72					
	25000	90.09	73.18	64.79	52.63	45.15	39.98	36.67	32.47	29.79	27.86	26.38					
	50000	73.18	59.44	52.63	42.75	36.67	32.47	29.79	26.38	24.2	22.63	21.43					
	70000	66.15	53.73	47.58	38.64	33.15	29.36	26.93	23.84	21.87	20.46	19.37					
22220	10000	133.73	108.62	96.18	78.13	67.03	59.35	54.44	48.21	44.22	41.36	39.42					
	25000	101.59	82.52	73.07	59.35	50.92	45.08	41.36	36.62	33.59	31.42	29.74					
	50000	82.52	67.03	59.35	48.21	41.36	36.62	33.59	29.74	27.29	25.52	24.16					
	70000	74.59	60.59	53.65	43.58	37.39	33.1	30.37	26.89	24.67	23.07	22.16					
22222	10000	218.44	177.43	157.11	127.61	109.48	96.94	88.93	78.74	72.23	67.55	64.87					
	25000	165.94	134.79	119.35	96.94	83.17	73.64	67.55	59.82	54.87	51.32	48.59					
	50000	134.79	109.48	96.94	78.74	67.55	59.82	54.87	48.59	44.57	41.68	39.46					
	70000	121.84	98.97	87.63	71.18	61.07	54.07	49.6	43.92	40.29	37.68	36.2					
22224	10000	245.12	199.1	176.29	143.19	122.85	108.78	99.78	88.36	81.05	75.8	72.23					
	25000	186.2	151.25	133.92	108.78	93.32	82.63	75.8	67.12	61.57	58.01	55.01					
	50000	151.25	122.85	108.78	88.36	75.8	67.12	61.57	54.52	50.01	46.21	43.86					
	70000	136.72	111.05	98.33	79.87	68.52	60.68	55.66	49.28	45.21	42.62	40.62					
22226	10000	291.98	237.16	210	170.57	146.34	129.58	118.86	105.25	96.55	91.8	88.36					
	25000	221.8	180.16	159.53	129.58	111.16	98.43	90.29	79.95	73.34	69.95	66.3					
	50000	180.16	146.34	129.58	105.25	90.29	79.95	73.34	64.94	59.57	55.7	52.75					
	70000	162.86	132.28	117.13	95.14	81.62	72.28	66.3	58.71	53.85	50.01	47.77					
22228	10000	328.38	266.73	236.18	191.84	164.58	145.73	133.68	118.37	108.58	101.55	97.15					
	25000	249.46	202.62	179.42	145.73	125.03	110.71	101.55	89.92	82.49	77.04	73.04					
	50000	202.62	164.58	145.73	118.37	101.55	89.92	82.49	73.04	67	63.04	60.57					
	70000	183.17	148.78	131.74	107.01	91.8	81.29	74.57	66.03	60.57	56.03	53.42					
22230	10000	386.78	314.16	278.18	225.95	193.85	171.65	157.45	139.42	127.89	120.85	115.91					
	25000	293.82	238.66	211.32	171.65	147.26	130.39	119.61	105.91	97.15	91.15	86.03					
	50000	238.66	193.85	171.65	139.42	119.61	105.91	97.15	86.03	78.91	74.15	70.41					
	70000	215.74	175.24	155.17	126.03	108.13	95.74	87.83	77.77	71.34	66.61	63.41					
22232	10000	432.56	351.35	311.11	252.7	216.79	191.96	176.09	155.92	145.83	137.77	131.45					
	25000	328.6	266.9	236.33	191.96	164.69	145.83	133.77	118.45	108.65	101.61	96.21					
	50000	266.9	216.79	191.96	155.92	133.77	118.45	108.65	96.21	88.25	82.25	78.15					
	70000	241.28	195.98	173.53	140.95	120.92	107.07	98.22	86.97	80.25	75.41	71.41					
22233	10000	216.79	176.09	155.92	126.65	108.65	96.21	88.25	80.25	75.41	71.41	67.41					
	25000	166.79	133.77	118.45	101.61	91.15	84.15	78.15	73.15	68.15	64.15	60.15					
	50000	133.77	108.65	96.21	84.15	74.15	67.15	62.15	58.15	54.15	50.15	47.15					
	70000	121.67	98.57	87.23	73.13	63.13	56.13	51.13	47.13	43.13	40.13	37.13					

型号	L10 寿命 (Hr)	额定负荷 (kN) 和旋转速度 (RPM)										
		50	100	150	300	500	750	1000	1500	2000	2500	3000
22218	10000	108.86	88.42	78.3	63.6</							